

ATS Logic Block Diagram

GENERAL NOTES

SPECIFIC NOTES


ABBREVIATIONS & LEGEND

REFERENCE DRAWINGS

DESCRIPTION	DWG. No.
Overall Single Line Diagram	LRSL-R1X-EL-SD-007
MV Single line diagram	LRSL-R1X-EL-SD-008
LV Single line diagram	LRSL-R1X-EL-SD-009
Schematic diagram for MV Switchgear	LRSL-R1X-EL-SM-001
Schematic diagram for LV Switchgear	LRSL-R1X-EL-SM-002

KEY PLAN

Rev	Date	PURPOSE OF ISSUE	Orig	By	Prep'd	Check'd	App'd	Company App'd
03	18-Sep-21	Approved for Construction	IOEC	-	A.A.D.	M.S.	M.A.	-
02	28-Jul-21	Issued for Approval	IOEC	-	S.Safari	A.Samadi	M.Aghaei	-
01	20-Jun-21	Issued for Approval	IOEC	-	S.Safari	A.Samadi	M.Aghaei	-
00	28-Apr-21	Issued for Comment	IOEC	-	S.Safari	A.Samadi	M.Aghaei	-

CLIENT:  Iranian Offshore Oil Company
I.O.O.C.

CONTRACTOR:  IOEC
SUB-CONTRACTOR:  INTELLIGENT SOLUTIONS INC.  CONSULTING ENGINEERS

Project No: 2-98-5365 Doc. Class: 2 Size: A3 Scale: N.T.S.

Project Name : Resalat Oil Field Development - Phase 1 (EPC-EPD)

TITLE :
ATS Logic Block Diagram

DRAWING No. LRSL-R1X-EL-LD-001 SH. NO. 1 OF 15 Rev. 03

INDEX

PAGE NO.	TITLE	REV. 00	REV. 01	REV. 02	REV. 03
1	COVER	X	X	X	X
2	INDEX	X	X	X	X
3	GENERAL NOTES	X		X	
4	6.6 KV SWITCHGEAR (LRSL-11-MC-0301) GENERATOR 1 START & Q1 CB CLOSE LOGIC DIAGRAM			X	
5	6.6 KV SWITCHGEAR (LRSL-11-MC-0301) GENERATOR 2 START & Q2 CB CLOSE LOGIC DIAGRAM			X	
6	6.6 KV SWITCHGEAR (LRSL-11-MC-0301) GENERATOR 3 START & Q3 CB CLOSE LOGIC DIAGRAM			X	
7	6.6 KV SWITCHGEAR (LRSL-11-MC-0301) GENERATOR 1 STOP & Q1 CB OPEN LOGIC DIAGRAM	X	X	X	
8	6.6 KV SWITCHGEAR (LRSL-11-MC-0301) GENERATOR 2 STOP & Q2 CB OPEN LOGIC DIAGRAM	X	X	X	
9	6.6 KV SWITCHGEAR (LRSL-11-MC-0301) GENERATOR 3 STOP & Q3 CB OPEN LOGIC DIAGRAM	X	X	X	
10	6.6 KV SWITCHGEAR (LRSL-11-MC-0301) BUS TIE CB CLOSE/OPEN LOGIC DIAGRAM	X	X	X	
11	0.4 KV SWITCHGEAR (LRSL-11-MC-0101) INCOMING A CB CLOSE/OPEN LOGIC DIAGRAM	X	X	X	
12	0.4 KV SWITCHGEAR (LRSL-11-MC-0101) INCOMING B CB CLOSE/OPEN LOGIC DIAGRAM	X	X		
13	0.4 KV SWITCHGEAR (LRSL-11-MC-0101) BUS TIE CB CLOSE/OPEN LOGIC DIAGRAM	X	X		
14	0.4 KV SWITCHGEAR (LRSL-11-MC-0302) INCOMING A CB CLOSE/OPEN LOGIC DIAGRAM	X	X	X	
15	0.4 KV SWITCHGEAR (LRSL-11-MC-0302) INCOMING B CB CLOSE/OPEN LOGIC DIAGRAM	X	X		

GENERAL NOTES

SPECIFIC NOTES





ABBREVIATIONS & LEGEND

REFERENCE DRAWINGS

DESCRIPTION	DWG. No.
Overall Single Line Diagram	LRSL-R1X-EL-SD-007
MV Single line diagram	LRSL-R1X-EL-SD-008
LV Single line diagram	LRSL-R1X-EL-SD-009
Schematic diagram for MV Switchgear	LRSL-R1X-EL-SM-001
Schematic diagram for LV Switchgear	LRSL-R1X-EL-SM-002

KEY PLAN

Rev	Date	PURPOSE OF ISSUE	Orig	By	Prep'd	Check'd	App'd	Company App'd
03	18-Sep-21	Approved for Construction	IOEC	-	A.A.D.	M.A.	M.A.	-
02	28-Jul-21	Issued for Approval	IOEC	-	S.Safari	A.Samadi	M.Aghaei	-
01	20-Jun-21	Issued for Approval	IOEC	-	S.Safari	A.Samadi	M.Aghaei	-
00	28-Apr-21	Issued for Comment	IOEC	-	S.Safari	A.Samadi	M.Aghaei	-

CLIENT:  Iranian Offshore Oil Company I.O.O.C.			
CONTRACTOR:  IOEC		SUB-CONTRACTOR:  INTELLIGENT SOLUTIONS INC.  Consulting Engineers	
Project No: 2-98-5365	Doc. Class: 2	Size: A3	Scale: N.T.S.
Project Name : Resalat Oil Field Development - Phase 1 (EPC-EPD)			
TITLE : ATS Logic Block Diagram			
DRAWING No.	LRSL-R1X-EL-LD-001	SHT. NO.	2 OF 15 Rev. 03

GENERAL NOTES:

THIS DOCUMENT CONTAINS LOGIC DIAGRAM FOR GENERATOR AND NEW SWITCHGEARS OF RESALAT PROJECT, AS FOLLOW:

1- LOGIC AND PROCEDURE OF GENERATOR STARTING AND CLOSING OF 6.6 KV SWITCHGEAR (LRSL-11-MC-0301) INCOMING CBs (GENERATOR INCOMINGS) AS WELL AS RELATED SELECTOR SWITCHES AND PUSH BUTTONS ARE SHOWN IN FRONT FLOWCHART.

2- CLOSING BUS TIE CB OF 6.6 KV SWITCHGEAR (LRSL-11-MC-0301) IS POSSIBLE IN THE CASE OF LIVE-DEAD BUSBAR OR DEAD-DEAD BUSBAR. SO SYNCHRONIZING WILL NOT BE USED FOR BUS TIE CB.

3- SYNCH CHECK FUNCTION (25) SHOULD BE PROVIDED IN 6.6KV SWITCHGEAR FOR ALL INCOMINGS AND BUS TIE CBs.

4- 0.4KV SWITCHGEAR (LRSL-11-MC-0101) INCOMINGS AND BUS TIE:

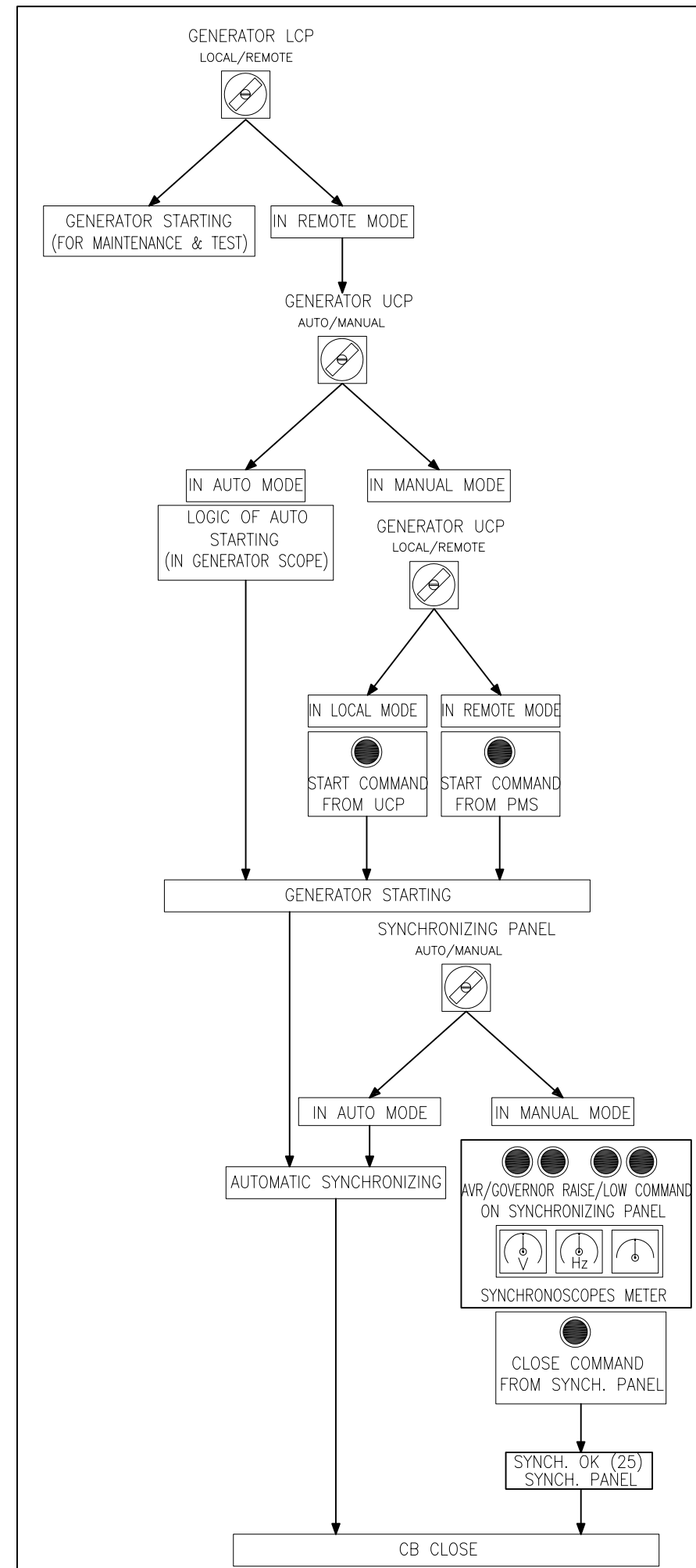
IN NORMAL CONDITION, INCOMING A CB IS OPEN (N.O.), INCOMING B CB AND ALSO BUS TIE ARE CLOSED (N.C). IN THE CASE OF UNDER VOLTAGE OF INCOMING B, CB OF INCOMING B AS WELL AS BUS TIE WILL BE OPENED. IF SELECTOR SWITCH "ATS ON/OFF" ON SWITCHGEAR IS "ON" POSITION, CB OF INCOMING A WILL BE CLOSED AUTOMATICALLY. IF IT IS "OFF" POSITION, CB OF INCOMING A CAN BE CLOSED BY OPERATOR LOCALLY BY PUSH BUTTON ON SWITCHGEAR.

FOR BACK TO NORMAL CONDITION BY RETURNING VOLTAGE OF INCOMING B TO PERMITTED VALUE, FIRST, CB OF INCOMING B SHOULD BE CLOSED AND AFTER THAT BUS TIE CB SHOULD BE CLOSED BY OPERATOR. IN THIS SITUATION, WHEN ALL THREE CBs ARE CLOSED, INCOMING A CB WILL BE TRIPPED AUTOMATICALLY.

5- 0.4KV SWITCHGEAR (LRSL-11-MC-0302) INCOMINGS:

IN NORMAL CONDITION, INCOMING A CB IS OPEN (N.O.) AND INCOMING B CB IS CLOSED (N.C.). IN THE CASE OF UNDER VOLTAGE OF INCOMING B, CB OF INCOMING B WILL BE OPENED. IF SELECTOR SWITCH "ATS ON/OFF" ON SWITCHGEAR IS "ON" POSITION, CB OF INCOMING A WILL BE CLOSED AUTOMATICALLY. IF IT IS "OFF" POSITION, CB OF INCOMING A CAN BE CLOSED BY OPERATOR LOCALLY BY PUSH BUTTON ON SWITCHGEAR.

FOR BACK TO NORMAL CONDITION BY RETURNING VOLTAGE OF INCOMING B TO PERMITTED VALUE, CB OF INCOMING B SHOULD BE CLOSED BY OPERATOR. IN THIS SITUATION, WHEN ALL TWO CBs ARE CLOSED, INCOMING A CB WILL BE TRIPPED AUTOMATICALLY.



GENERAL NOTES

SPECIFIC NOTES

ABBREVIATIONS & LEGEND

REFERENCE DRAWINGS

DESCRIPTION	DWG. No.
Overall Single Line Diagram	LRSL-R1X-EL-SD-007
MV Single line diagram	LRSL-R1X-EL-SD-008
LV Single line diagram	LRSL-R1X-EL-SD-009
Schematic diagram for MV Switchgear	LRSL-R1X-EL-SM-001
Schematic diagram for LV Switchgear	LRSL-R1X-EL-SM-002

KEY PLAN

Rev	Date	PURPOSE OF ISSUE	Orig	By	Prep'd	Check'd	App'd	Company App'd
03	18-Sep-21	Approved for Construction	IOEC	-	A.A.D.	M.A.	M.A.	-
02	28-Jul-21	Issued for Approval	IOEC	-	S.Safari	A.Samadi	M.Aghaei	-
01	20-Jun-21	Issued for Approval	IOEC	-	S.Safari	A.Samadi	M.Aghaei	-
00	28-Apr-21	Issued for Comment	IOEC	-	S.Safari	A.Samadi	M.Aghaei	-

CLIENT: Iranian Offshore Oil Company	
CONTRACTOR: 	SUB-CONTRACTOR:
Project No: 2-98-5365	Doc. Class: 2
Size: A3	Scale: N.T.S.
Project Name : Resalat Oil Field Development - Phase 1 (EPC-EPD)	
TITLE : ATS Logic Block Diagram	
DRAWING No.	LRSL-R1X-EL-LD-001
SHT. NO.	3 OF 15
Rev.	03

UNIT CONTROL PANEL OF GENERATOR

SELECTOR SWITCH AUTO/MANUAL ON UCP AUTO MODE

LOGIC OF AUTO STARTING BY GENERATOR MANUFACTURER

SELECTOR SWITCH AUTO/MANUAL ON UCP MANUAL MODE

SELECTOR SWITCH LOCAL/REMOTE ON UCP LOCAL MODE

GENERATOR STARTING PUSH BUTTON ON UCP START COMMAND

SELECTOR SWITCH LOCAL/REMOTE ON UCP REMOTE MODE

GENERATOR STARTING COMMAND FROM PMS START COMMAND

GENERATOR READY TO START

GENERATOR READY TO LOAD

SYNCHRONIZING PANEL

SELECTOR SWITCH AUTO/MANUAL ON SYNCH. PANEL AUTO MODE

SELECTOR SWITCH AUTO/MANUAL ON SYNCH. PANEL MANUAL MODE

Q1 CLOSE PUSH BUTTON ON SYNCH. PANEL CLOSE COMMAND

SYNCH CHECK (25) IN SYNCH. PANEL OK

6.6KV SWITCHGEAR

EARTHING SWITCH (INC.1 & BUS A&B) OPEN

TCS , LOCK OUT NOT OPERATED

Q1 C.B. POSITION IN SERVICE POS.

INCOMING FEEDER 27 U > 95%

SYNCH CHECK 25 IN SWITCHGEAR OK

Q1 C.B. POSITION TEST POS.

Q1 CLOSE P.B. ON SWITCHGEAR CLOSE COMMAND

Q1 CB STATUS OPEN

CB SPRING CHARGE OK

LOCAL CONTROL PANEL OF GENERATOR

SELECTOR SWITCH LOCAL/REMOTE ON LCP LOCAL MODE

GENERATOR STARTING PUSH BUTTON ON LCP START COMMAND

SELECTOR SWITCH LOCAL/REMOTE ON LCP REMOTE MODE

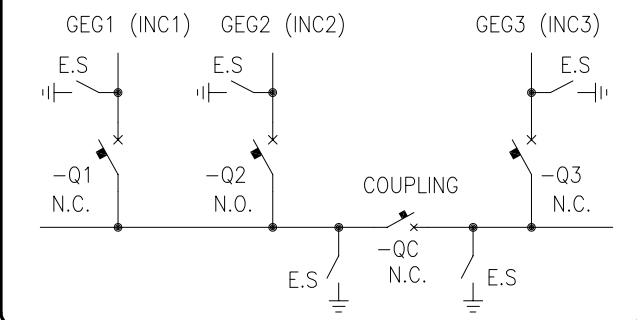
GENERATOR START FOR MAINTENANCE & TEST

GENERATOR START

AUTOMATIC SYNCHRONIZING IN SYNCH. PANEL

OR

6.6 KV SWITCHGEAR (LRSL-11-MC-0301)
GENERATOR 1 START & Q1 CB CLOSE LOGIC DIAGRAM



Q1 C.B. CLOSE

GENERAL NOTES

SPECIFIC NOTES

ABBREVIATIONS & LEGEND

REFERENCE DRAWINGS

DESCRIPTION	DWG. No.
Overall Single Line Diagram	LRSL-R1X-EL-SD-007
MV Single line diagram	LRSL-R1X-EL-SD-008
LV Single line diagram	LRSL-R1X-EL-SD-009
Schematic diagram for MV Switchgear	LRSL-R1X-EL-SM-001
Schematic diagram for LV Switchgear	LRSL-R1X-EL-SM-002

KEY PLAN

Rev	Date	PURPOSE OF ISSUE	Orig	By	Prep'd	Check'd	App'd	Company App'd
03	18-Sep-21	Approved for Construction	IOEC	-	A.A.D.	M.A.	M.A.	-
02	28-Jul-21	Issued for Approval	IOEC	-	S.Safari	A.Samadi	M.Aghaei	-
01	20-Jun-21	Issued for Approval	IOEC	-	S.Safari	A.Samadi	M.Aghaei	-
00	28-Apr-21	Issued for Comment	IOEC	-	S.Safari	A.Samadi	M.Aghaei	-

CLIENT: Iranian Offshore Oil Company I.O.O.C.

CONTRACTOR: IOEC

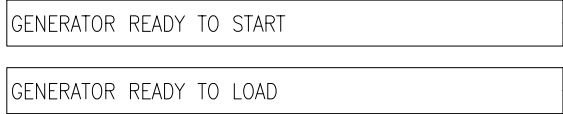
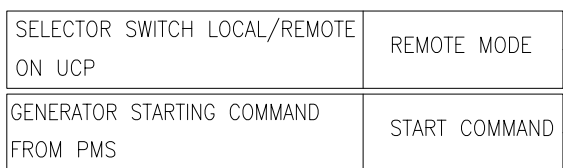
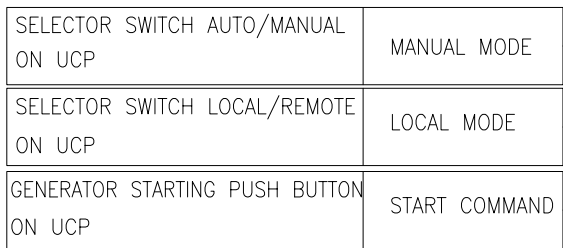
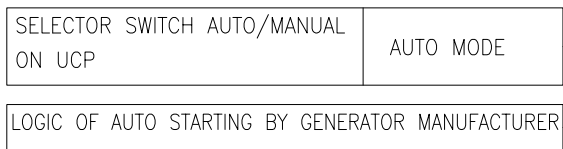
SUB-CONTRACTOR: INTELLIGENT SOLUTIONS INC. Consulting Engineers

Project No: 2-98-5365 Doc. Class: 2 Size: A3 Scale: N.T.S.

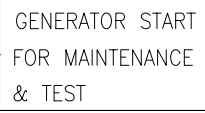
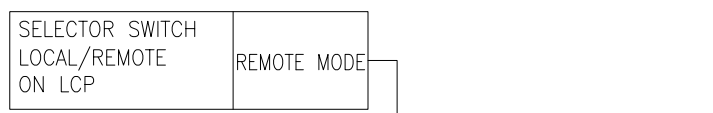
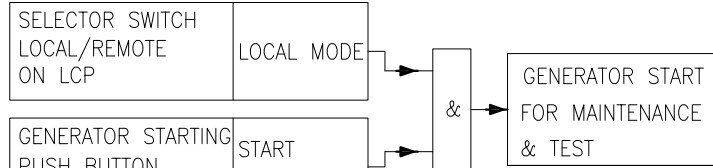
Project Name : Resalat Oil Field Development - Phase 1 (EPC-EPD)

TITLE : **ATS Logic Block Diagram**

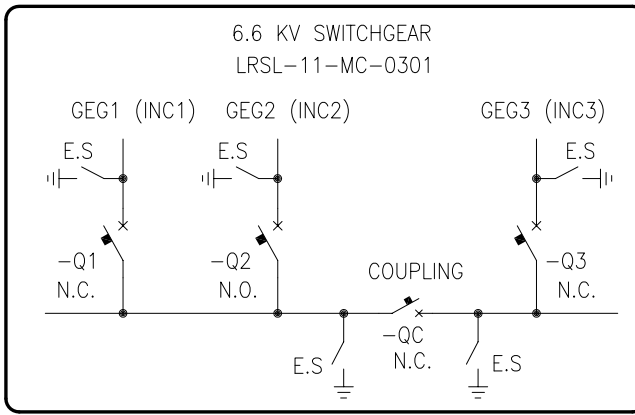
UNIT CONTROL PANEL OF GENERATOR



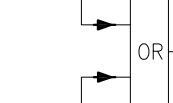
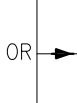
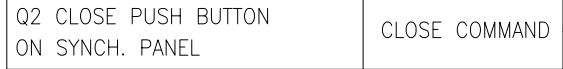
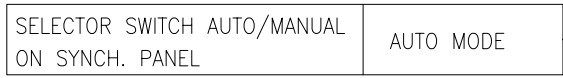
LOCAL CONTROL PANEL OF GENERATOR



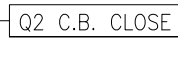
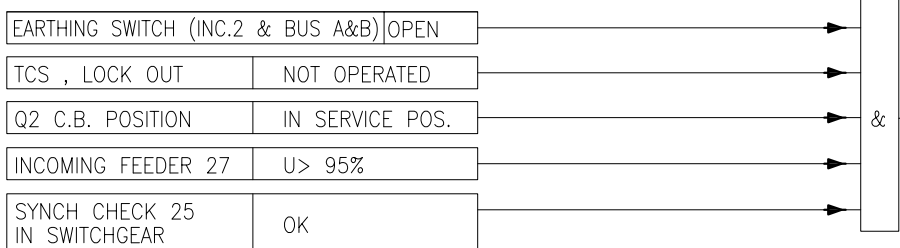
6.6 KV SWITCHGEAR (LRSL-11-MC-0301)
GENERATOR 2 START & Q2 CB CLOSE LOGIC DIAGRAM



SYNCHRONIZING PANEL



6.6KV SWITCHGEAR



GENERAL NOTES

SPECIFIC NOTES

ABBREVIATIONS & LEGEND

REFERENCE DRAWINGS

DESCRIPTION	DWG. No.
Overall Single Line Diagram	LRSL-R1X-EL-SD-007
MV Single line diagram	LRSL-R1X-EL-SD-008
LV Single line diagram	LRSL-R1X-EL-SD-009
Schematic diagram for MV Switchgear	LRSL-R1X-EL-SM-001
Schematic diagram for LV Switchgear	LRSL-R1X-EL-SM-002

KEY PLAN

Rev	Date	PURPOSE OF ISSUE	Orig	By	Prep'd	Check'd	App'd	Company App'd
03	18-Sep-21	Approved for Construction	IOEC	-	A.A.	M.A.	M.A.	-
02	28-Jul-21	Issued for Approval	IOEC	-	S.Safari	A.Samadi	M.Aghaei	-
01	20-Jun-21	Issued for Approval	IOEC	-	S.Safari	A.Samadi	M.Aghaei	-
00	28-Apr-21	Issued for Comment	IOEC	-	S.Safari	A.Samadi	M.Aghaei	-

CLIENT: Iranian Offshore Oil Company I.O.O.C.

CONTRACTOR: IOEC

SUB-CONTRACTOR: INTELLIGENT SOLUTIONS INC. Consulting Engineers

Project No: 2-98-5365 Doc. Class: 2 Size: A3 Scale: N.T.S.
Project Name: Resalat Oil Field Development - Phase 1 (EPC-EPD)

TITLE : **ATS Logic Block Diagram**

DRAWING No. LRSL-R1X-EL-LD-001 SHEET NO. 5 OF 15 Rev. 03

UNIT CONTROL PANEL OF GENERATOR

SELECTOR SWITCH AUTO/MANUAL ON UCP
 AUTO MODE

LOGIC OF AUTO STARTING BY GENERATOR MANUFACTURER

SELECTOR SWITCH AUTO/MANUAL ON UCP
 MANUAL MODE

SELECTOR SWITCH LOCAL/REMOTE ON UCP
 LOCAL MODE

GENERATOR STARTING PUSH BUTTON ON UCP
 START COMMAND

SELECTOR SWITCH LOCAL/REMOTE ON UCP
 REMOTE MODE

GENERATOR STARTING COMMAND FROM PMS
 START COMMAND

GENERATOR READY TO START

GENERATOR READY TO LOAD

SYNCHRONIZING PANEL

SELECTOR SWITCH AUTO/MANUAL ON SYNCH. PANEL
 AUTO MODE

SELECTOR SWITCH AUTO/MANUAL ON SYNCH. PANEL
 MANUAL MODE

Q3 CLOSE PUSH BUTTON ON SYNCH. PANEL
 CLOSE COMMAND

SYNCH CHECK (25) IN SYNCH. PANEL
 OK

6.6KV SWITCHGEAR

EARTHING SWITCH (INC.3 & BUS A&B) OPEN

TCS , LOCK OUT NOT OPERATED

Q3 C.B. POSITION IN SERVICE POS.

INCOMING FEEDER 27 U > 95%

SYNCH CHECK 25 IN SWITCHGEAR OK

Q3 C.B. POSITION TEST POS.

Q3 CLOSE P.B. ON SWITCHGEAR CLOSE COMMAND

Q3 CB STATUS OPEN

CB SPRING CHARGE OK

LOCAL CONTROL PANEL OF GENERATOR

SELECTOR SWITCH LOCAL/REMOTE ON LCP
 LOCAL MODE

GENERATOR STARTING PUSH BUTTON ON LCP
 START COMMAND

GENERATOR START FOR MAINTENANCE & TEST

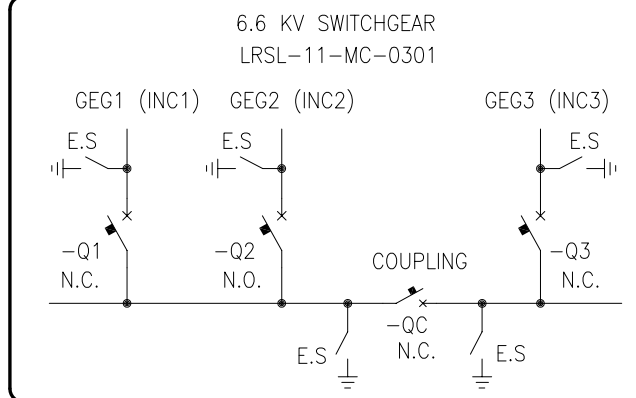
SELECTOR SWITCH LOCAL/REMOTE ON LCP
 REMOTE MODE

GENERATOR START

AUTOMATIC SYNCHRONIZING IN SYNCH. PANEL

OR

6.6 KV SWITCHGEAR (LRSL-11-MC-0301)
 GENERATOR 3 START & Q3 CB CLOSE LOGIC DIAGRAM



Q3 C.B. CLOSE

GENERAL NOTES

SPECIFIC NOTES

ABBREVIATIONS & LEGEND

REFERENCE DRAWINGS

DESCRIPTION	DWG. No.
Overall Single Line Diagram	LRSL-R1X-EL-SD-007
MV Single line diagram	LRSL-R1X-EL-SD-008
LV Single line diagram	LRSL-R1X-EL-SD-009
Schematic diagram for MV Switchgear	LRSL-R1X-EL-SM-001
Schematic diagram for LV Switchgear	LRSL-R1X-EL-SM-002

KEY PLAN

Rev	Date	PURPOSE OF ISSUE	Orig	By	Prep'd	Check'd	App'd	Company App'd
03	18-Sep-21	Approved for Construction	IOEC	-	A.Ahmad	A.Samadi	M.Aghaei	-
02	28-Jul-21	Issued for Approval	IOEC	-	S.Safari	A.Samadi	M.Aghaei	-
01	20-Jun-21	Issued for Approval	IOEC	-	S.Safari	A.Samadi	M.Aghaei	-
00	28-Apr-21	Issued for Comment	IOEC	-	S.Safari	A.Samadi	M.Aghaei	-

CLIENT:

Iranian Offshore Oil Company
 I.O.O.C.

CONTRACTOR:

IOEC

SUB-CONTRACTOR:

INTELLIGENT SOLUTIONS INC.
 Consulting Engineers

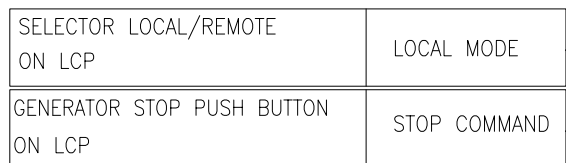
Project No: 2-98-5365 Doc. Class: 2 Size: A3 Scale: N.T.S.

Project Name : Resalat Oil Field Development - Phase 1 (EPC-EPD)

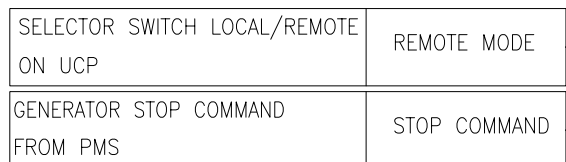
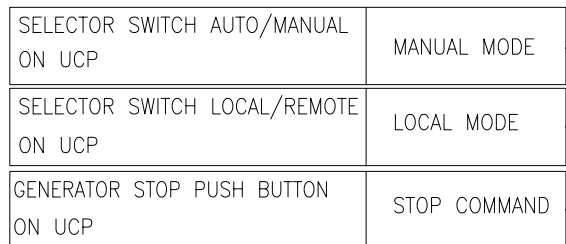
TITLE :
 ATS Logic Block Diagram

DRAWING No. LRSL-R1X-EL-LD-001 SHEET NO. 6 OF 15 Rev. 03

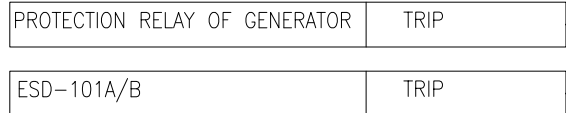
LOCAL CONTROL PANEL OF GENERATOR



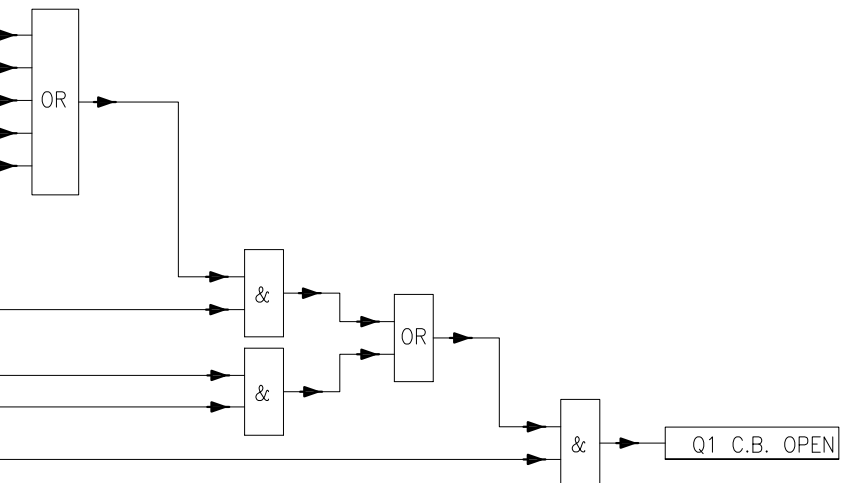
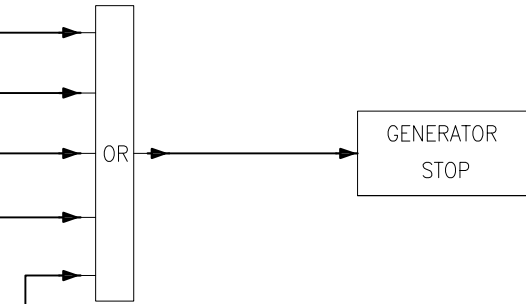
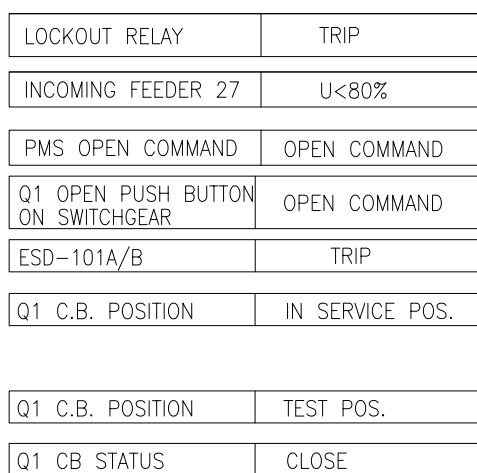
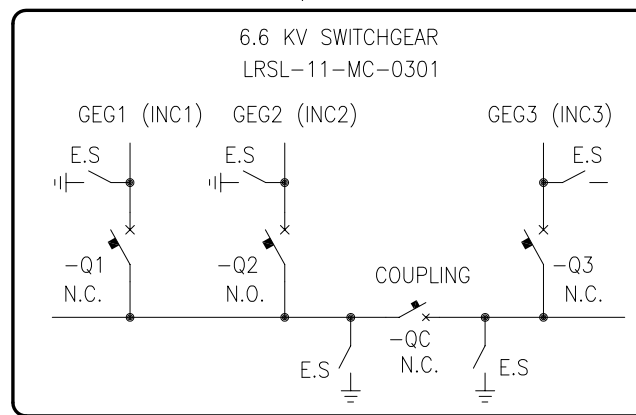
UNIT CONTROL PANEL OF GENERATOR



PROTECTION PANEL OF GENERATOR



6.6 KV SWITCHGEAR (LRSL-11-MC-0301)
GENERATOR 1 STOP & Q1 CB OPEN LOGIC DIAGRAM



GENERAL NOTES

SPECIFIC NOTES

ABBREVIATIONS & LEGEND

REFERENCE DRAWINGS

DESCRIPTION	DWG. No.
Overall Single Line Diagram	LRSL-R1X-EL-SD-007
MV Single line diagram	LRSL-R1X-EL-SD-008
LV Single line diagram	LRSL-R1X-EL-SD-009
Schematic diagram for MV Switchgear	LRSL-R1X-EL-SM-001
Schematic diagram for LV Switchgear	LRSL-R1X-EL-SM-002

KEY PLAN

Rev	Date	PURPOSE OF ISSUE	Orig	By	Prep'd	Check'd	App'd	Company App'd
03	18-Sep-21	Approved for Construction	IOEC	-	A.A.D.	M.A.	M.A.	-
02	28-Jul-21	Issued for Approval	IOEC	-	S.Safari	A.Samadi	M.Aghaei	-
01	20-Jun-21	Issued for Approval	IOEC	-	S.Safari	A.Samadi	M.Aghaei	-
00	28-Apr-21	Issued for Comment	IOEC	-	S.Safari	A.Samadi	M.Aghaei	-

CLIENT: Iranian Offshore Oil Company I.O.O.C.

CONTRACTOR: IOEC

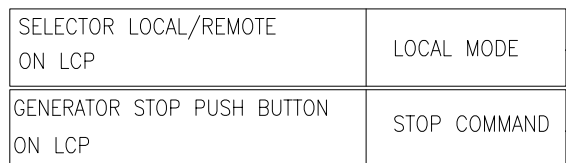
SUB-CONTRACTOR: INTELLIGENT SOLUTIONS INC. Consulting Engineers

Project No: 2-98-5365 Doc. Class: 2 Size: A3 Scale: N.T.S.
Project Name : Resalat Oil Field Development - Phase 1 (EPC-EPD)

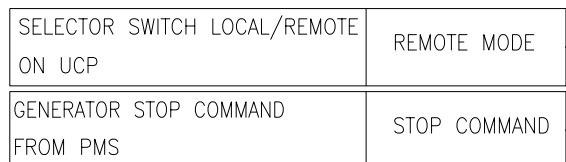
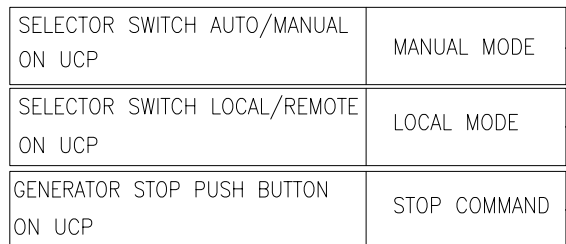
TITLE : **ATS Logic Block Diagram**

DRAWING No. LRSL-R1X-EL-LD-001 SHEET NO. 7 OF 15 Rev. 03

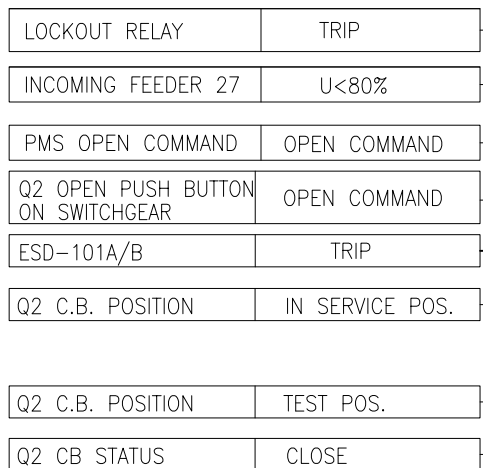
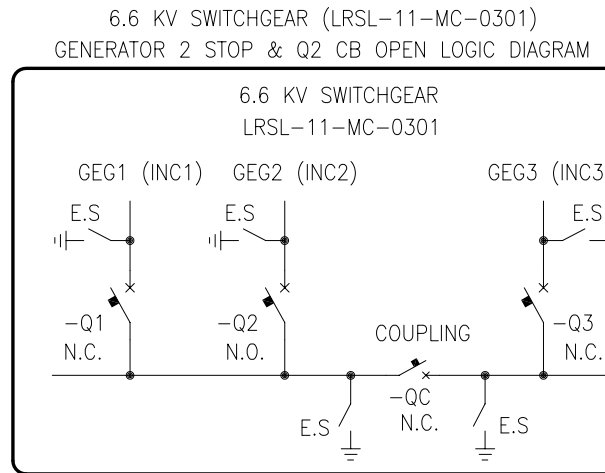
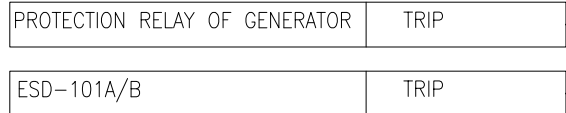
LOCAL CONTROL PANEL OF GENERATOR



UNIT CONTROL PANEL OF GENERATOR



PROTECTION PANEL OF GENERATOR



GENERATOR STOP

Q2 C.B. OPEN

GENERAL NOTES

SPECIFIC NOTES

ABBREVIATIONS & LEGEND

REFERENCE DRAWINGS

DESCRIPTION	DWG. No.
Overall Single Line Diagram	LRSL-R1X-EL-SD-007
MV Single line diagram	LRSL-R1X-EL-SD-008
LV Single line diagram	LRSL-R1X-EL-SD-009
Schematic diagram for MV Switchgear	LRSL-R1X-EL-SM-001
Schematic diagram for LV Switchgear	LRSL-R1X-EL-SM-002

KEY PLAN

Rev	Date	PURPOSE OF ISSUE	Orig	By	Prep'd	Check'd	App'd	Company App'd
03	18-Sep-21	Approved for Construction	IOEC	-	A.Abdol	M.Aghaei	M.Aghaei	-
02	28-Jul-21	Issued for Approval	IOEC	-	S.Safari	A.Samadi	M.Aghaei	-
01	20-Jun-21	Issued for Approval	IOEC	-	S.Safari	A.Samadi	M.Aghaei	-
00	28-Apr-21	Issued for Comment	IOEC	-	S.Safari	A.Samadi	M.Aghaei	-

CLIENT: Iranian Offshore Oil Company I.O.O.C.

CONTRACTOR: IOEC

SUB-CONTRACTOR: INTELLIGENT SOLUTIONS INC. Consulting Engineers

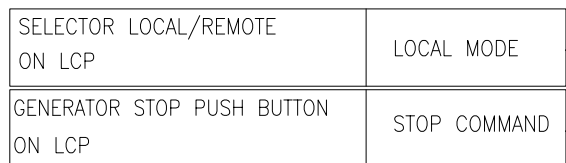
Project No: 2-98-5365 Doc. Class: 2 Size: A3 Scale: N.T.S.

Project Name : Resalat Oil Field Development - Phase 1 (EPC-EPD)

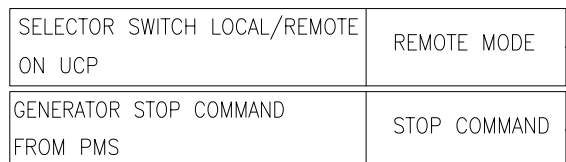
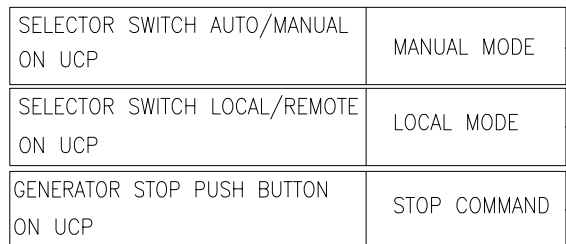
TITLE : ATS Logic Block Diagram

DRAWING No. LRSL-R1X-EL-LD-001 SH. NO. 8 OF 15 Rev. 03

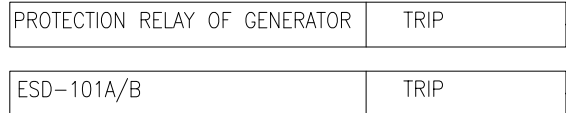
LOCAL CONTROL PANEL OF GENERATOR



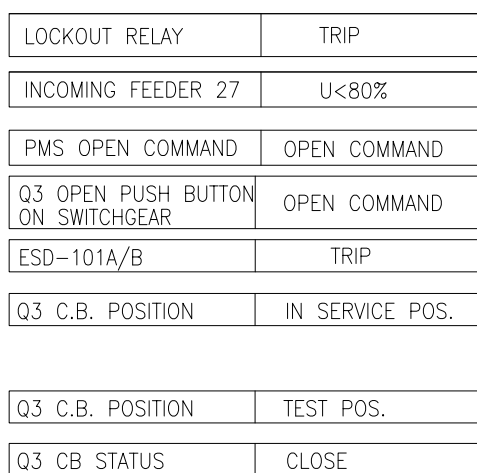
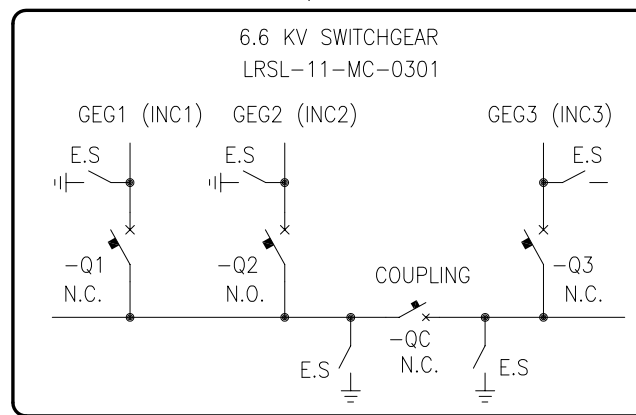
UNIT CONTROL PANEL OF GENERATOR



PROTECTION PANEL OF GENERATOR



6.6 KV SWITCHGEAR (LRSL-11-MC-0301)
GENERATOR 3 STOP & Q3 CB OPEN LOGIC DIAGRAM



Q3 C.B. OPEN

GENERAL NOTES

SPECIFIC NOTES

ABBREVIATIONS & LEGEND

REFERENCE DRAWINGS

DESCRIPTION	DWG. No.
Overall Single Line Diagram	LRSL-R1X-EL-SD-007
MV Single line diagram	LRSL-R1X-EL-SD-008
LV Single line diagram	LRSL-R1X-EL-SD-009
Schematic diagram for MV Switchgear	LRSL-R1X-EL-SM-001
Schematic diagram for LV Switchgear	LRSL-R1X-EL-SM-002

KEY PLAN

Rev	Date	PURPOSE OF ISSUE	Orig	By	Prep'd	Check'd	App'd	Company App'd
03	18-Sep-21	Approved for Construction	IOEC	-	A.A.D.	M.A.	M.A.	-
02	28-Jul-21	Issued for Approval	IOEC	-	S.Safari	A.Samadi	M.Aghaei	-
01	20-Jun-21	Issued for Approval	IOEC	-	S.Safari	A.Samadi	M.Aghaei	-
00	28-Apr-21	Issued for Comment	IOEC	-	S.Safari	A.Samadi	M.Aghaei	-

CLIENT:

Iranian Offshore Oil Company
I.O.O.C.

CONTRACTOR:

IOEC

SUB-CONTRACTOR:

INTELLIGENT SOLUTIONS INC.
Consulting Engineers

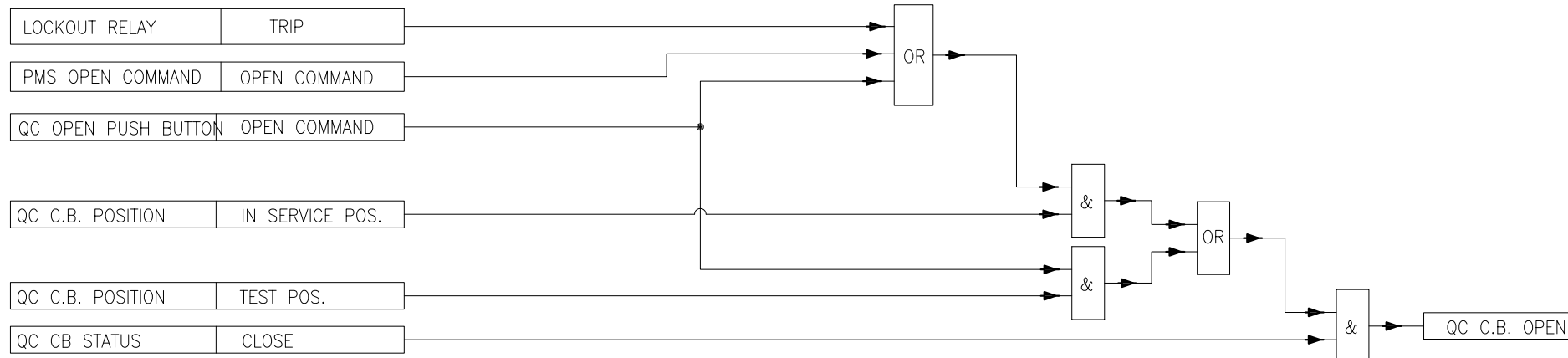
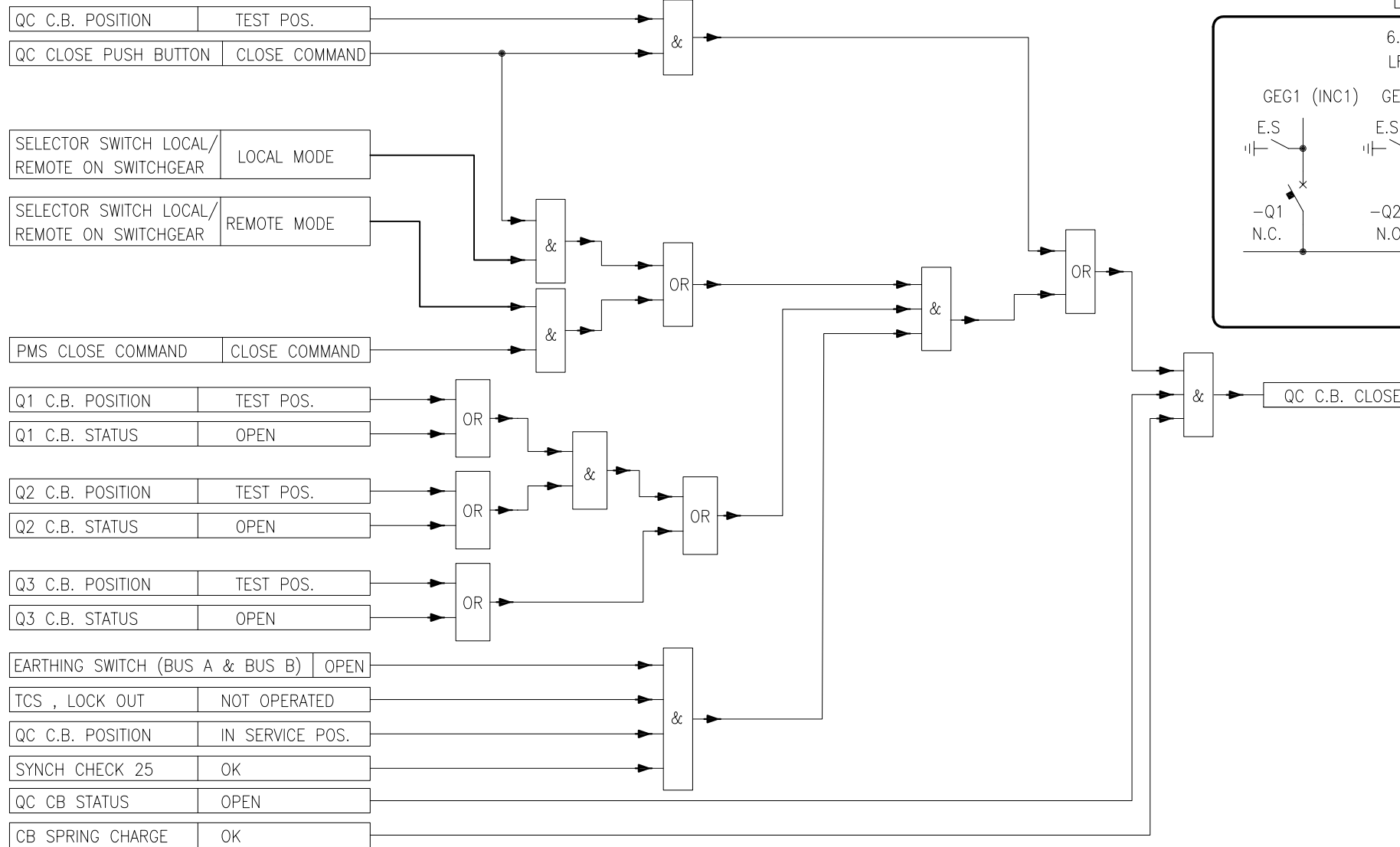
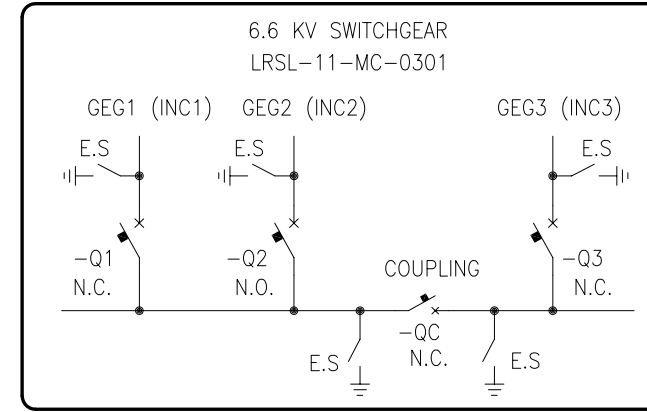
Project No: 2-98-5365 Doc. Class: 2 Size: A3 Scale: N.T.S.

Project Name : Resalat Oil Field Development - Phase 1 (EPC-EPD)

TITLE :
ATS Logic Block Diagram

DRAWING No. LRSL-R1X-EL-LD-001 SHEET NO. 9 OF 15 Rev. 03

6.6 KV SWITCHGEAR (LRSL-11-MC-0301) BUS TIE CB CLOSE/OPEN LOGIC DIAGRAM



GENERAL NOTES

SPECIFIC NOTES

ABBREVIATIONS & LEGEND

REFERENCE DRAWINGS

DESCRIPTION	DWG. No.
Overall Single Line Diagram	LRSL-R1X-EL-SD-007
MV Single line diagram	LRSL-R1X-EL-SD-008
LV Single line diagram	LRSL-R1X-EL-SD-009
Schematic diagram for MV Switchgear	LRSL-R1X-EL-SM-001
Schematic diagram for LV Switchgear	LRSL-R1X-EL-SM-002

KEY PLAN

Rev	Date	PURPOSE OF ISSUE	Orig	By	Prep'd	Check'd	App'd	Company App'd
03	18-Sep-21	Approved for Construction	IOEC	-	A.A.D.	M.A.	M.A.	-
02	28-Jul-21	Issued for Approval	IOEC	-	S.Safari	A.Samadi	M.Aghaei	-
01	20-Jun-21	Issued for Approval	IOEC	-	S.Safari	A.Samadi	M.Aghaei	-
00	28-Apr-21	Issued for Comment	IOEC	-	S.Safari	A.Samadi	M.Aghaei	-

CLIENT: Iranian Offshore Oil Company I.O.O.C.

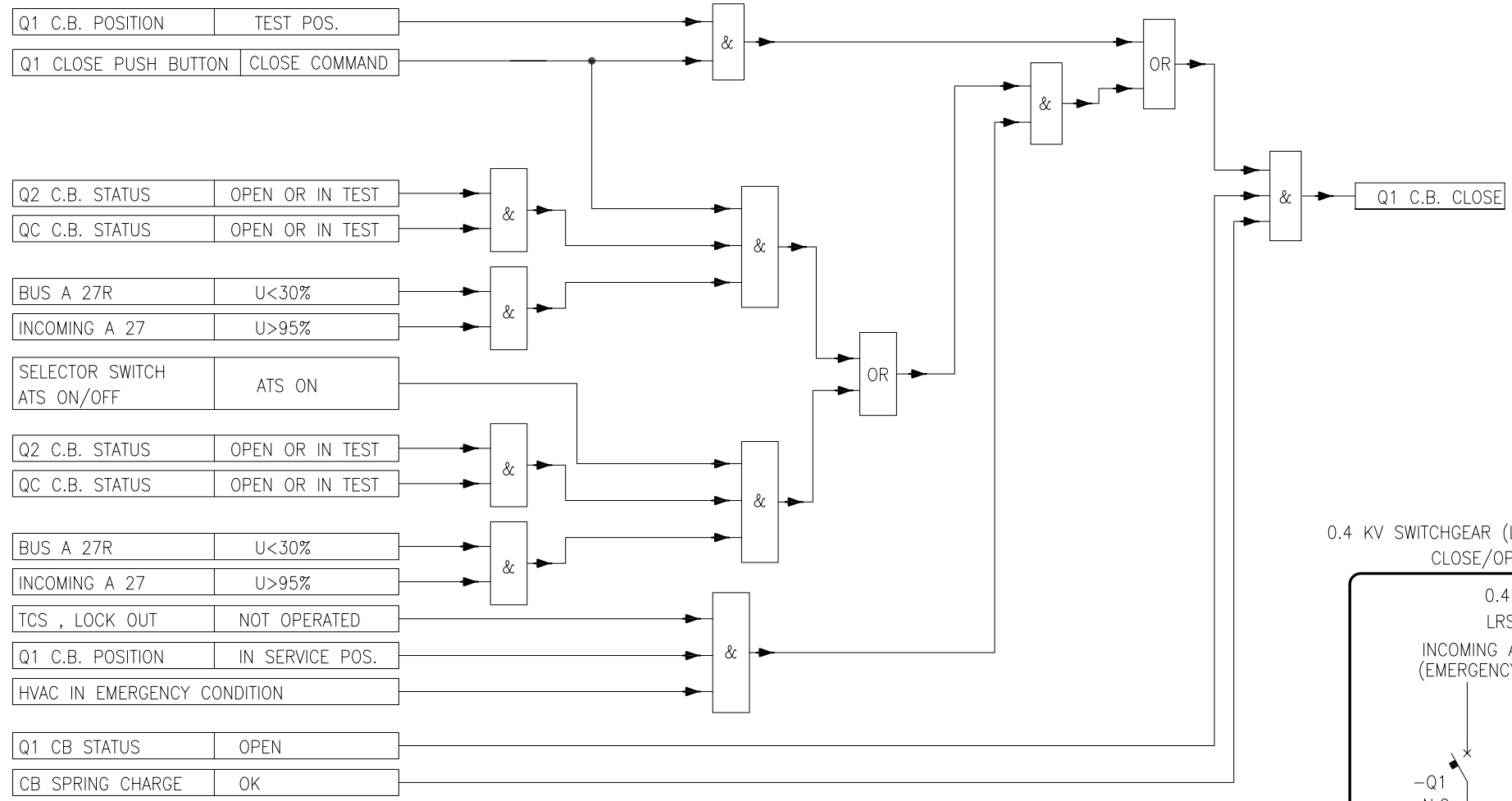
CONTRACTOR: IOEC
SUB-CONTRACTOR: INTELLIGENT SOLUTIONS INC. Consulting Engineers

Project No: 2-98-5365 Doc. Class: 2 Size: A3 Scale: N.T.S.

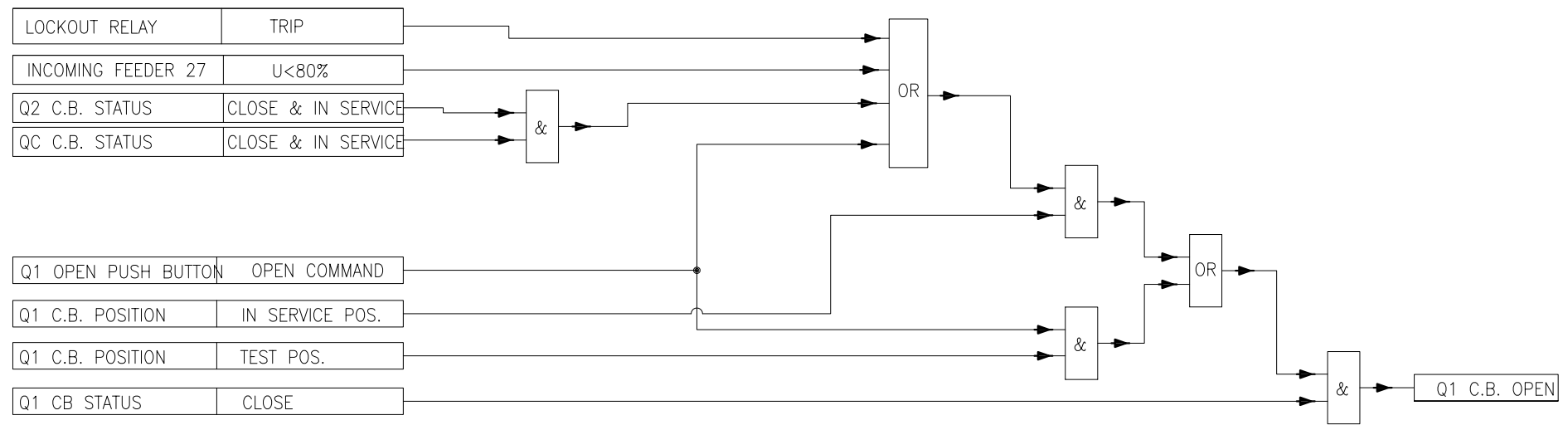
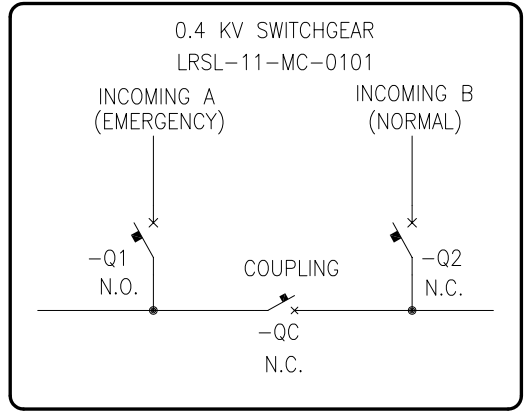
Project Name : Resalat Oil Field Development - Phase 1 (EPC-EPD)

TITLE : **ATS Logic Block Diagram**

DRAWING No. LRSL-R1X-EL-LD-001 SHE. NO. 10 OF 15 Rev. 03



0.4 KV SWITCHGEAR (LRSL-11-MC-0101) INCOMING A CB
CLOSE/OPEN LOGIC DIAGRAM



GENERAL NOTES

SPECIFIC NOTES

ABBREVIATIONS & LEGEND

REFERENCE DRAWINGS

DESCRIPTION	DWG. No.
Overall Single Line Diagram	LRSL-R1X-EL-SD-007
MV Single line diagram	LRSL-R1X-EL-SD-008
LV Single line diagram	LRSL-R1X-EL-SD-009
Schematic diagram for MV Switchgear	LRSL-R1X-EL-SM-001
Schematic diagram for LV Switchgear	LRSL-R1X-EL-SM-002

KEY PLAN

Rev	Date	PURPOSE OF ISSUE	Orig	By	Prep'd	Check'd	App'd	Company App'd
03	18-Sep-21	Approved for Construction	IOEC	-	A.A.D.	M.A.	M.A.	-
02	28-Jul-21	Issued for Approval	IOEC	-	S.Safari	A.Samadi	M.Aghaei	-
01	20-Jun-21	Issued for Approval	IOEC	-	S.Safari	A.Samadi	M.Aghaei	-
00	28-Apr-21	Issued for Comment	IOEC	-	S.Safari	A.Samadi	M.Aghaei	-

CLIENT: Iranian Offshore Oil Company

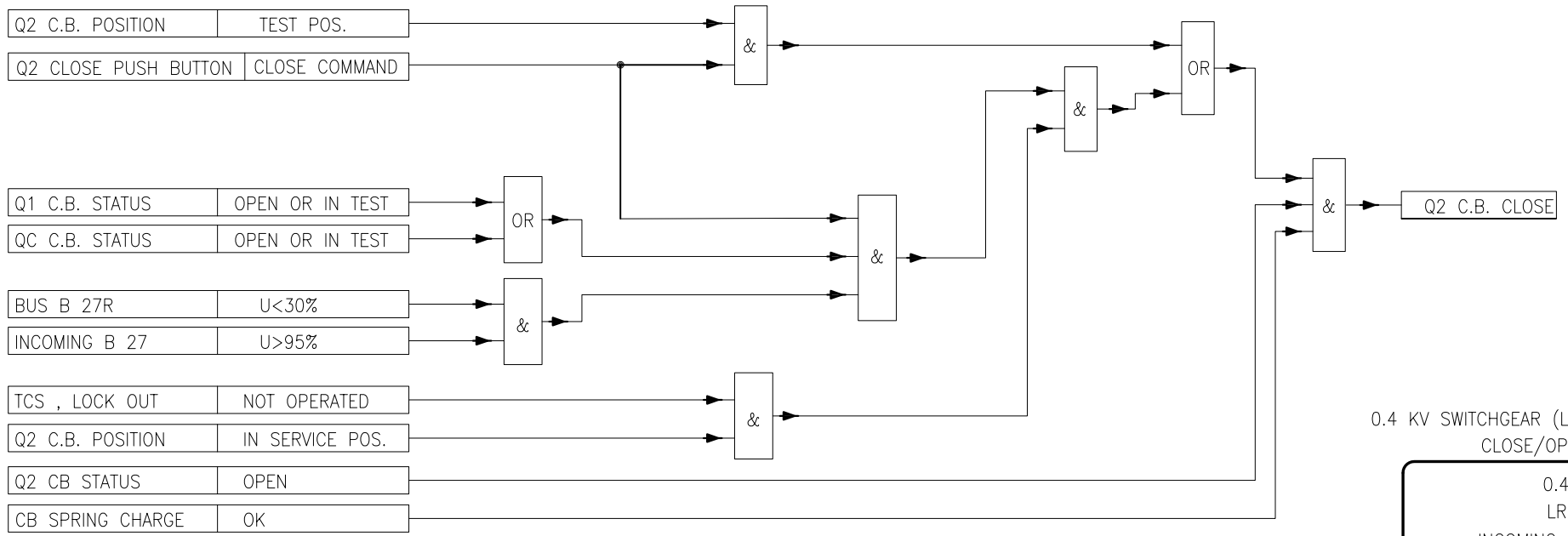
CONTRACTOR: IOEC

SUB-CONTRACTOR: INTELLIGENT SOLUTIONS INC.

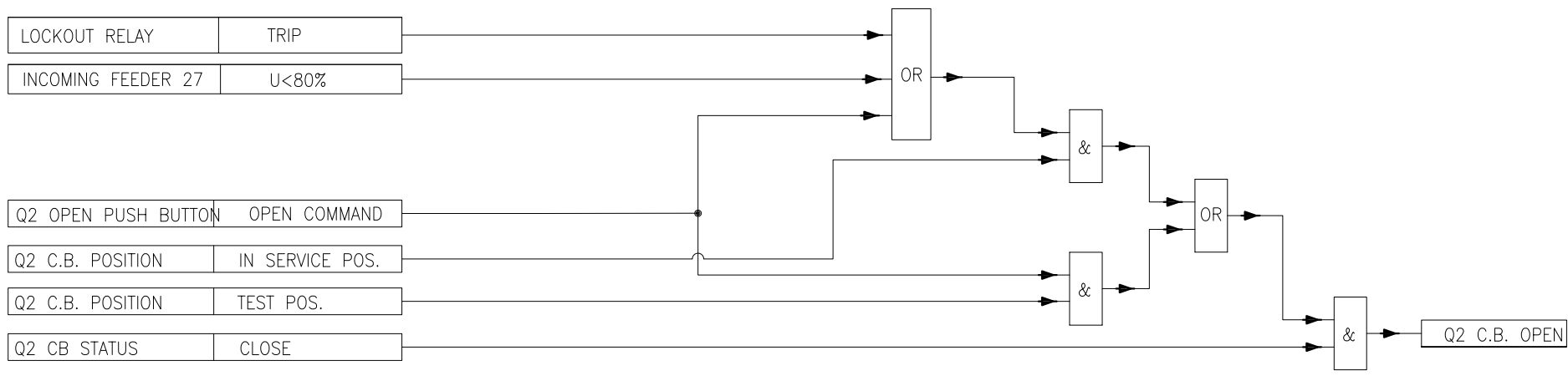
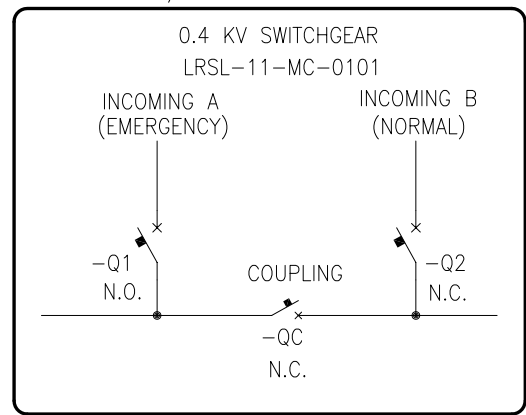
Project No: 2-98-5365 Doc. Class: 2 Size: A3 Scale: N.T.S.
Project Name : Resalat Oil Field Development - Phase 1 (EPC-EPD)

TITLE : **ATS Logic Block Diagram**

DRAWING No. LRSL-R1X-EL-LD-001 SHEET NO. 11 OF 15 Rev. 03



0.4 KV SWITCHGEAR (LRSL-11-MC-0101) INCOMING B CB
CLOSE/OPEN LOGIC DIAGRAM



GENERAL NOTES

SPECIFIC NOTES

ABBREVIATIONS & LEGEND

REFERENCE DRAWINGS

DESCRIPTION	DWG. No.
Overall Single Line Diagram	LRSL-R1X-EL-SD-007
MV Single line diagram	LRSL-R1X-EL-SD-008
LV Single line diagram	LRSL-R1X-EL-SD-009
Schematic diagram for MV Switchgear	LRSL-R1X-EL-SM-001
Schematic diagram for LV Switchgear	LRSL-R1X-EL-SM-002

KEY PLAN

Rev	Date	PURPOSE OF ISSUE	Orig	By	Prep'd	Check'd	App'd	Company App'd
03	18-Sep-21	Approved for Construction	IOEC	-	A.A.D.	M.A.	M.A.	-
02	28-Jul-21	Issued for Approval	IOEC	-	S.Safari	A.Samadi	M.Aghaei	-
01	20-Jun-21	Issued for Approval	IOEC	-	S.Safari	A.Samadi	M.Aghaei	-
00	28-Apr-21	Issued for Comment	IOEC	-	S.Safari	A.Samadi	M.Aghaei	-

CLIENT: Iranian Offshore Oil Company

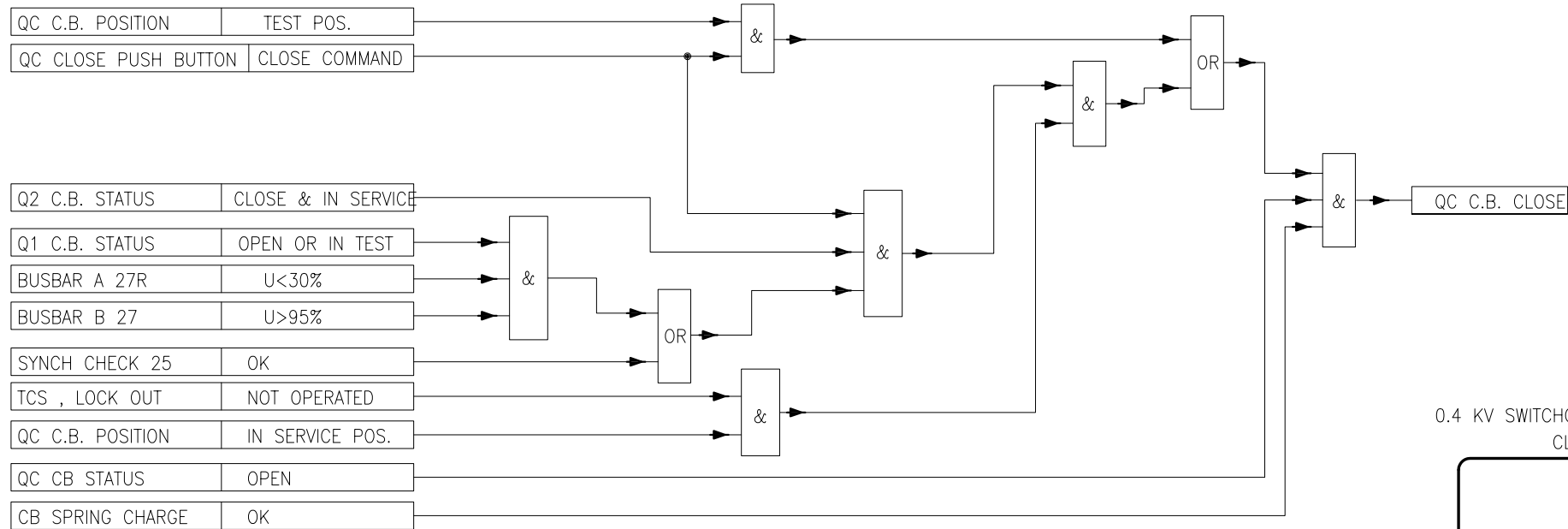
CONTRACTOR: IOEC

SUB-CONTRACTOR: INTELLIGENT SOLUTIONS INC. Consulting Engineers

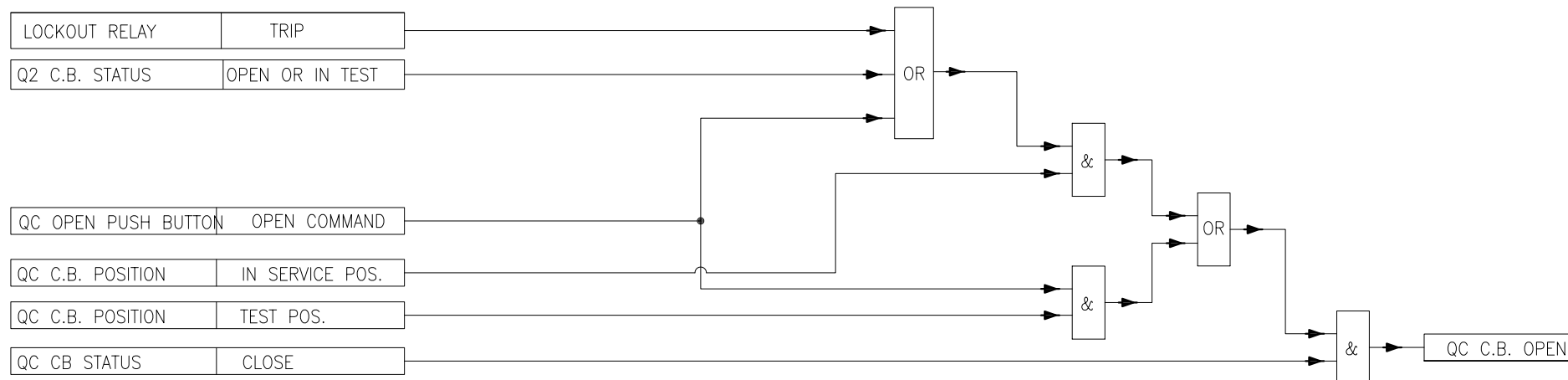
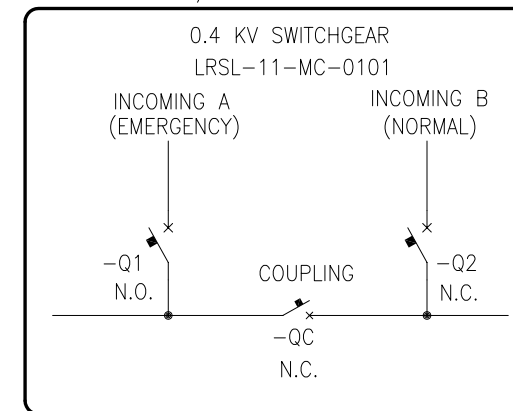
Project No: 2-98-5365 Doc. Class: 2 Size: A3 Scale: N.T.S.
Project Name : Resalat Oil Field Development - Phase 1 (EPC-EPD)

TITLE : **ATS Logic Block Diagram**

DRAWING No. LRSL-R1X-EL-LD-001 SHEET NO. 12 OF 15 Rev. 03



0.4 KV SWITCHGEAR (LRSL-11-MC-0101) BUS TIE CB
CLOSE/OPEN LOGIC DIAGRAM



GENERAL NOTES

SPECIFIC NOTES

ABBREVIATIONS & LEGEND

REFERENCE DRAWINGS

DESCRIPTION	DWG. No.
Overall Single Line Diagram	LRSL-R1X-EL-SD-007
MV Single line diagram	LRSL-R1X-EL-SD-008
LV Single line diagram	LRSL-R1X-EL-SD-009
Schematic diagram for MV Switchgear	LRSL-R1X-EL-SM-001
Schematic diagram for LV Switchgear	LRSL-R1X-EL-SM-002

KEY PLAN

Rev	Date	PURPOSE OF ISSUE	Orig	By	Prep'd	Check'd	App'd	Company App'd
03	18-Sep-21	Approved for Construction	IOEC	-	A.A.D.	M.A.	M.A.	-
02	28-Jul-21	Issued for Approval	IOEC	-	S.Safari	A.Samadi	M.Aghaei	-
01	20-Jun-21	Issued for Approval	IOEC	-	S.Safari	A.Samadi	M.Aghaei	-
00	28-Apr-21	Issued for Comment	IOEC	-	S.Safari	A.Samadi	M.Aghaei	-

CLIENT:



Iranian Offshore Oil Company
I.O.O.C.

CONTRACTOR:



SUB-CONTRACTOR:

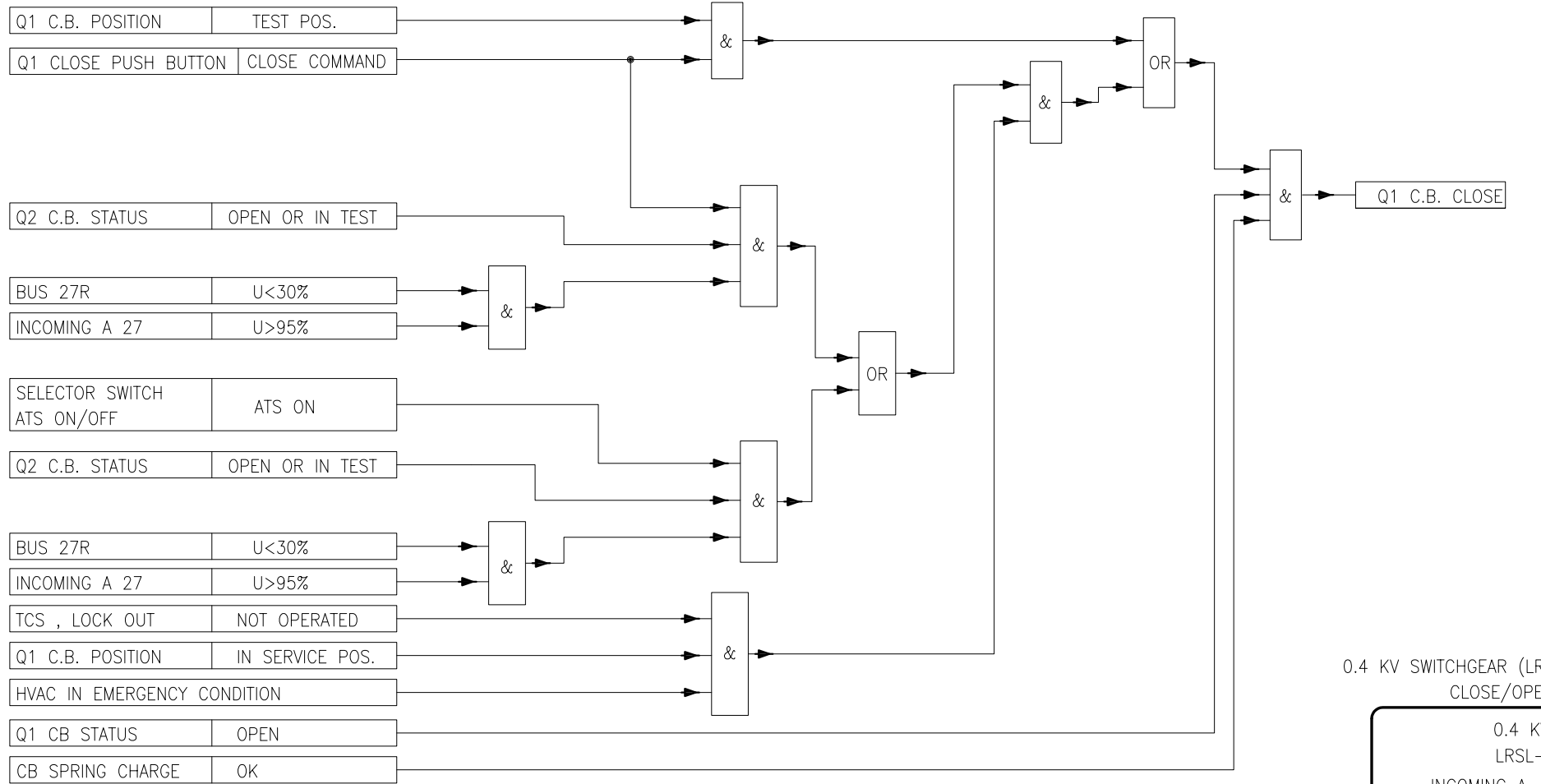


Project No: 2-98-5365 Doc. Class: 2 Size: A3 Scale: N.T.S.

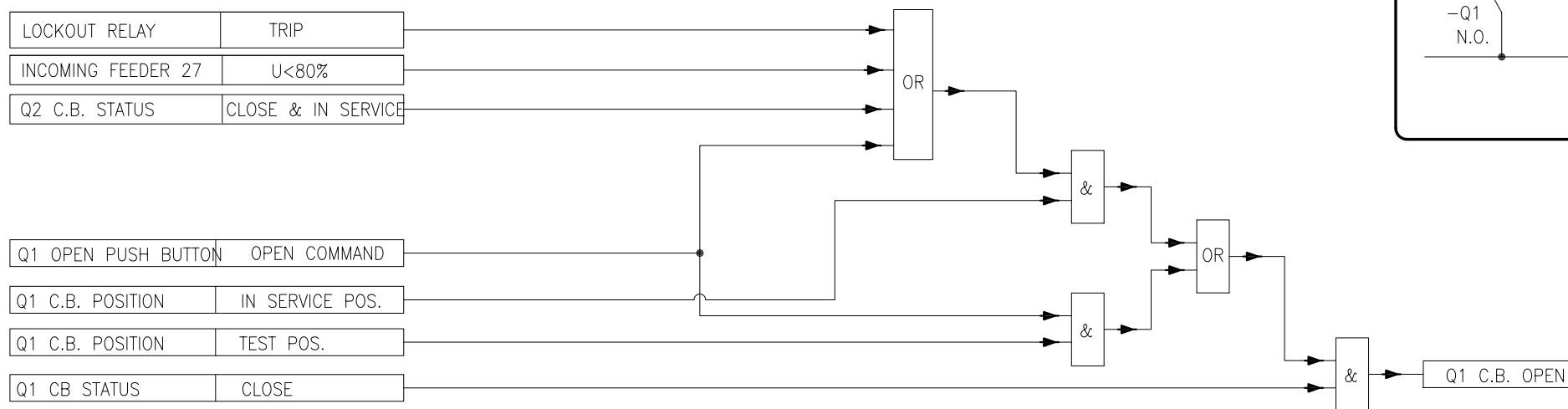
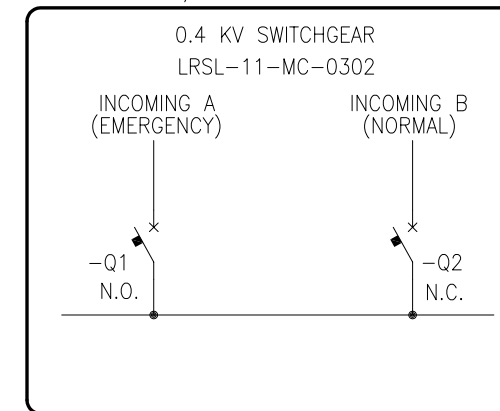
Project Name : Resalat Oil Field Development - Phase 1 (EPC-EPD)

TITLE :
ATS Logic Block Diagram

DRAWING No. LRSL-R1X-EL-LD-001 SH. NO. 13 OF 15 Rev. 03



0.4 KV SWITCHGEAR (LRSL-11-MC-0302) INCOMING A CB CLOSE/OPEN LOGIC DIAGRAM



GENERAL NOTES

SPECIFIC NOTES

ABBREVIATIONS & LEGEND

REFERENCE DRAWINGS

DESCRIPTION	DWG. No.
Overall Single Line Diagram	LRSL-R1X-EL-SD-007
MV Single line diagram	LRSL-R1X-EL-SD-008
LV Single line diagram	LRSL-R1X-EL-SD-009
Schematic diagram for MV Switchgear	LRSL-R1X-EL-SM-001
Schematic diagram for LV Switchgear	LRSL-R1X-EL-SM-002

KEY PLAN

Rev	Date	PURPOSE OF ISSUE	Orig	By	Prep'd	Check'd	App'd	Company App'd
03	18-Sep-21	Approved for Construction	IOEC	-	A.Ahmad	A.Samadi	M.Aghaei	-
02	28-Jul-21	Issued for Approval	IOEC	-	S.Safari	A.Samadi	M.Aghaei	-
01	20-Jun-21	Issued for Approval	IOEC	-	S.Safari	A.Samadi	M.Aghaei	-
00	28-Apr-21	Issued for Comment	IOEC	-	S.Safari	A.Samadi	M.Aghaei	-

CLIENT: Iranian Offshore Oil Company I.O.O.C.

CONTRACTOR: IOEC

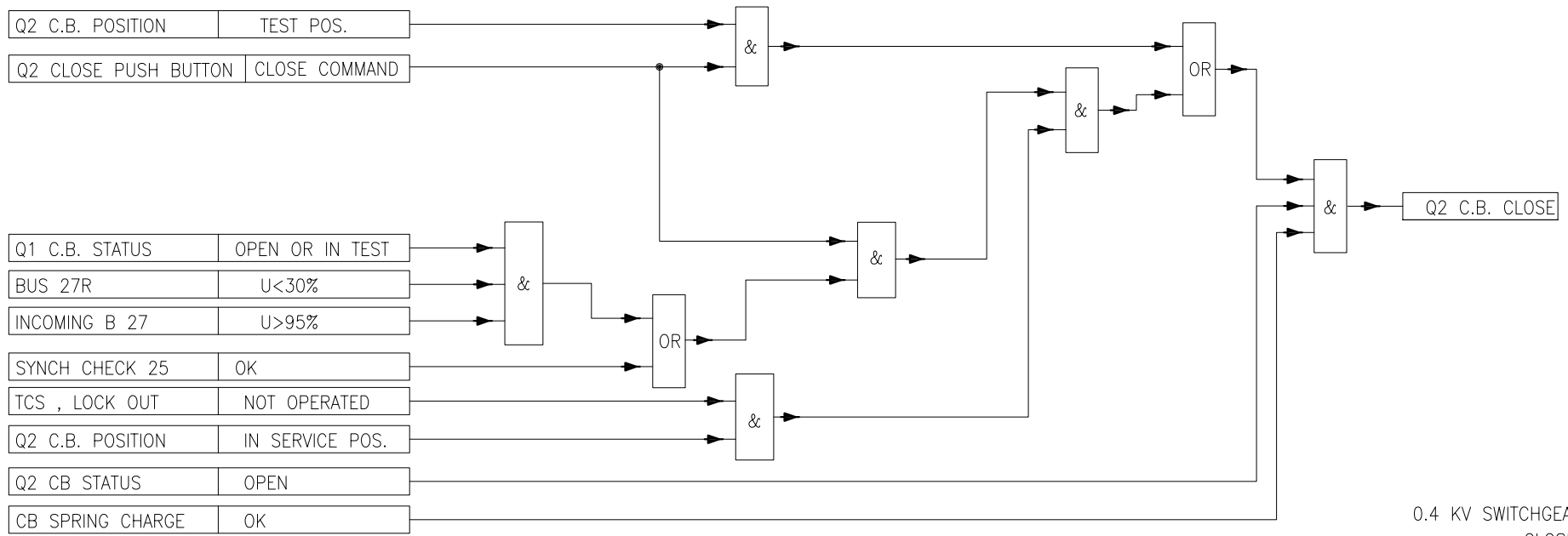
SUB-CONTRACTOR: INTELLIGENT SOLUTIONS INC.

Project No: 2-98-5365 Doc. Class: 2 Size: A3 Scale: N.T.S.

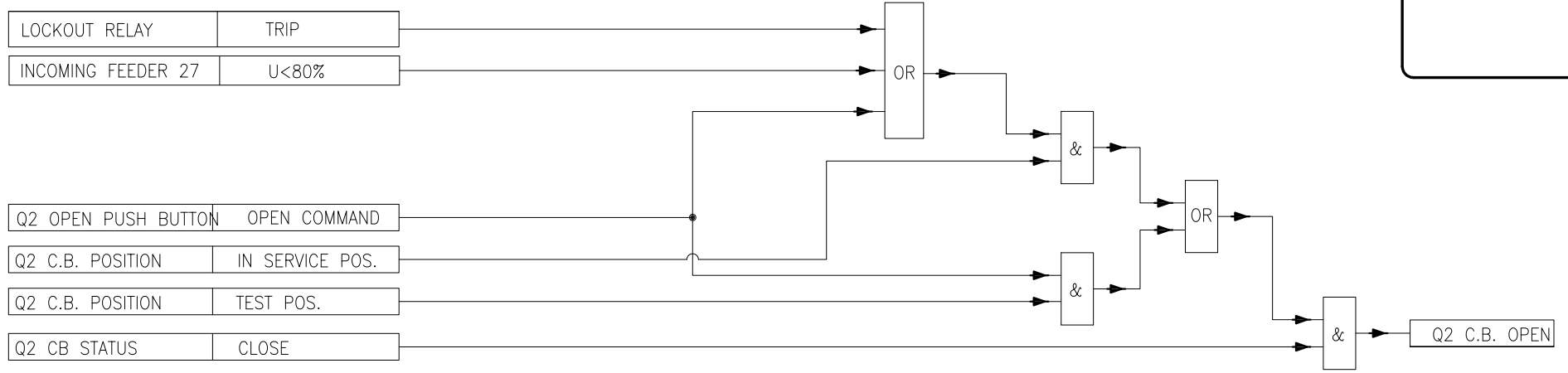
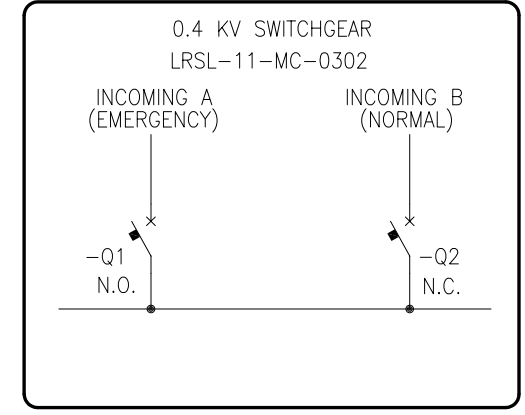
Project Name : Resalat Oil Field Development - Phase 1 (EPC-EPD)

TITLE : **ATS Logic Block Diagram**

DRAWING No. LRSL-R1X-EL-LD-001 SHEET NO. 14 OF 15 Rev. 03



0.4 KV SWITCHGEAR (LRSL-11-MC-0302) INCOMING B CB CLOSE/OPEN LOGIC DIAGRAM



GENERAL NOTES

SPECIFIC NOTES

ABBREVIATIONS & LEGEND

REFERENCE DRAWINGS

DESCRIPTION	DWG. No.
Overall Single Line Diagram	LRSL-R1X-EL-SD-007
MV Single line diagram	LRSL-R1X-EL-SD-008
LV Single line diagram	LRSL-R1X-EL-SD-009
Schematic diagram for MV Switchgear	LRSL-R1X-EL-SM-001
Schematic diagram for LV Switchgear	LRSL-R1X-EL-SM-002

KEY PLAN

Rev	Date	PURPOSE OF ISSUE	Orig	By	Prep'd	Check'd	App'd	Company App'd
03	18-Sep-21	Approved for Construction	IOEC	-	A.A.D.	M.A.	M.A.	-
02	28-Jul-21	Issued for Approval	IOEC	-	S.Safari	A.Samadi	M.Aghaei	-
01	20-Jun-21	Issued for Approval	IOEC	-	S.Safari	A.Samadi	M.Aghaei	-
00	28-Apr-21	Issued for Comment	IOEC	-	S.Safari	A.Samadi	M.Aghaei	-

CLIENT: Iranian Offshore Oil Company

CONTRACTOR: IOEC

SUB-CONTRACTOR: INTELLIGENT SOLUTIONS INC.

Project No: 2-98-5365 Doc. Class: 2 Size: A3 Scale: N.T.S.

Project Name : Resalat Oil Field Development - Phase 1 (EPC-EPD)

TITLE : **ATS Logic Block Diagram**

DRAWING No. LRSL-R1X-EL-LD-001 SHEET NO. 15 OF 15 Rev. 03