

BUILDING LIST	
NAME	DESCRIPTION
LRSL-BD-0301	NEW SWITCHGEAR

- GENERAL NOTES**
- 1- ALL DIMENSIONS ARE IN MILLIMETERS.
 - 2- ALL ELEVATIONS ARE IN METERS AND REFER TO LAT.
 - 3- THIS DRAWING HAS BEEN PREPARED BASED ON PDMS MODEL RECEIVED VIA LETTER NO. 59278/018/MT/5365 DATED 1399/06/04 FROM IOCC. THE NEW DATA GATHERED DURING SITE VISITING ON 1399/08/11 AND 1399/08/12 HAVE BEEN IMPLEMENTED.
 - 4- AXE A-1 IN SERVICE PLATFORM DEFINED WITH E=100,000, N=100,000 HAS BEEN CONSIDERED AS REFERENCE POINT FOR ALL COORDINATIONS.
 - 5- WINCH FACILITIES FOR LIFE BOAT IS RELOCATED TO THE NORTH ARM.
 - 6- REMOVING EXISTING GTG'S PANELS COULD BE DONE AFTER IOCC'S CONFIRMATION.

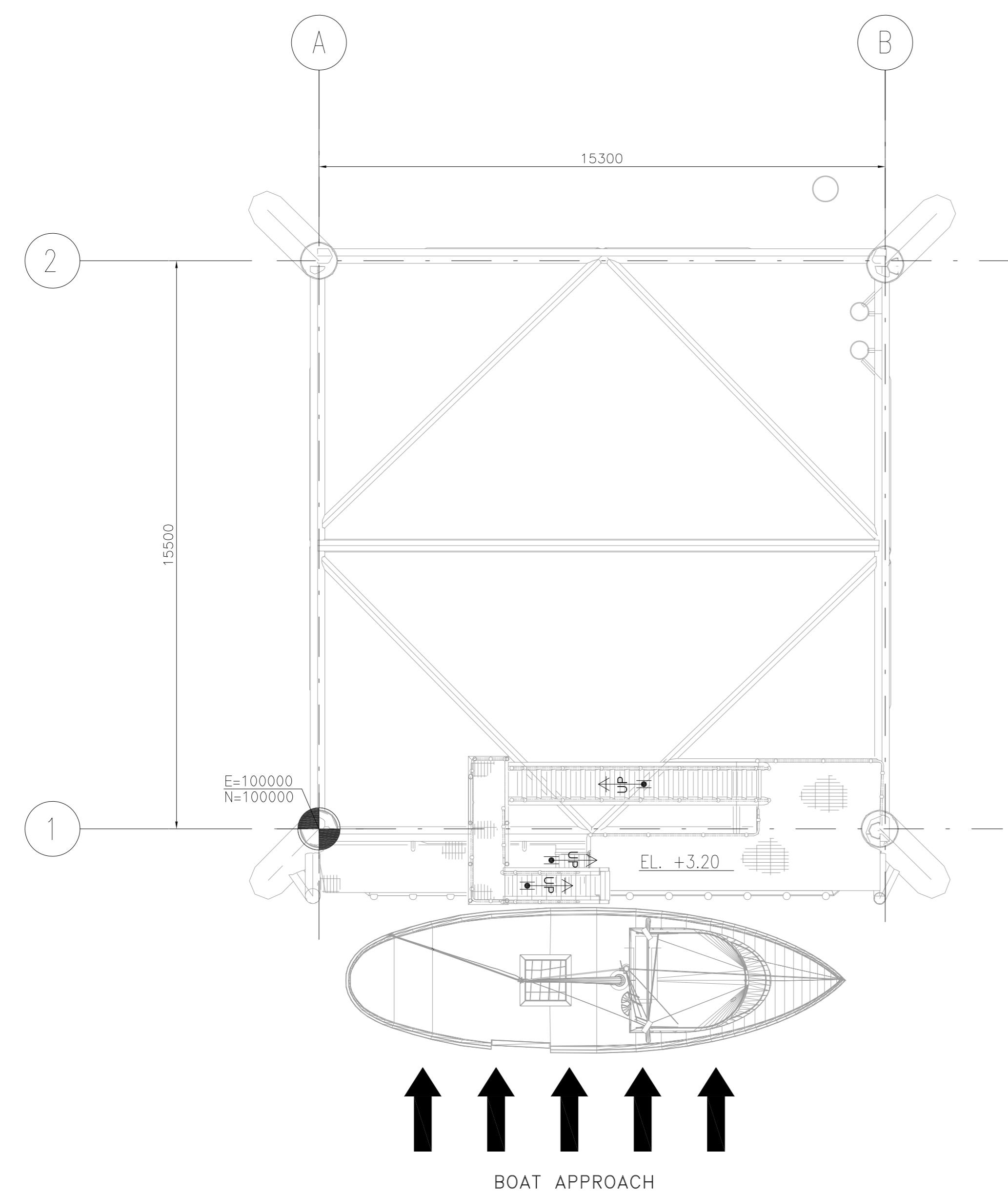
SPECIFIC NOTES

ABBREVIATIONS & LEGEND

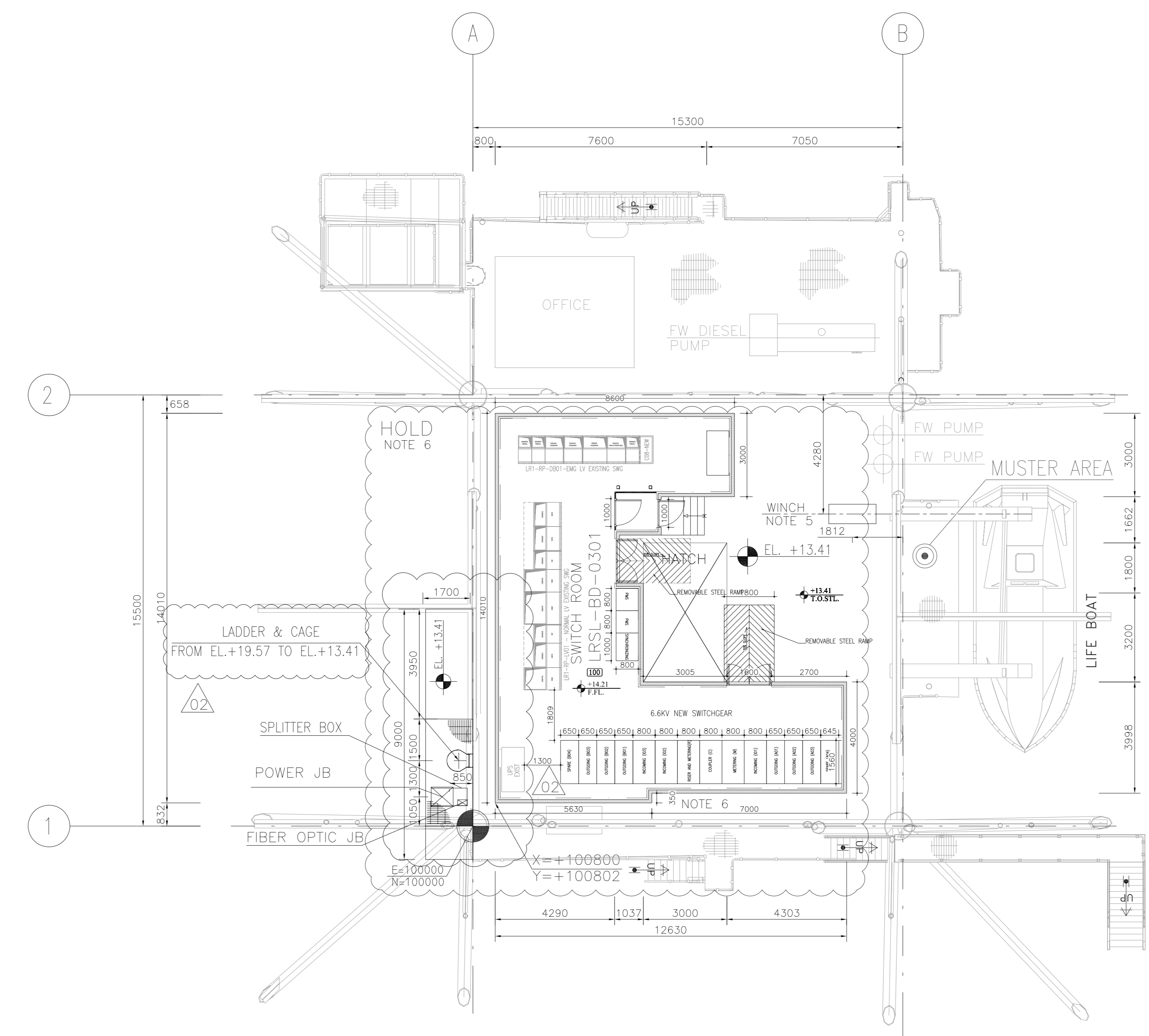
- CORRUGATED PLATE
- GRATING
- T.O.S. = TOP OF STEEL
- T.O.P. = TOP OF PLATE
- = MOVED ITEMS
- PRIMARY ESCAPE ROUTE (1200mm x 2200mm)
- SECONDARY ESCAPE ROUTE (800mm x 2500mm)

REFERENCE DRAWINGS

DESCRIPTION	DWG. No.
Process Flow Diagram for wellhead Facilities	LRSL-DPX-PR-PF-001
Process Flow Diagram for Gas Sweetening	LRSL-PPX-PR-PF-001
Process Flow Diagram for Gas Engine Generator	LRSL-SPX-PR-PF-001
Plot Plan for RIX Complex (Basic)	LRSL-R1X-PI-PP-001
Overall Plot Plan (Basic)	LRSL-R1X-PI-PP-002

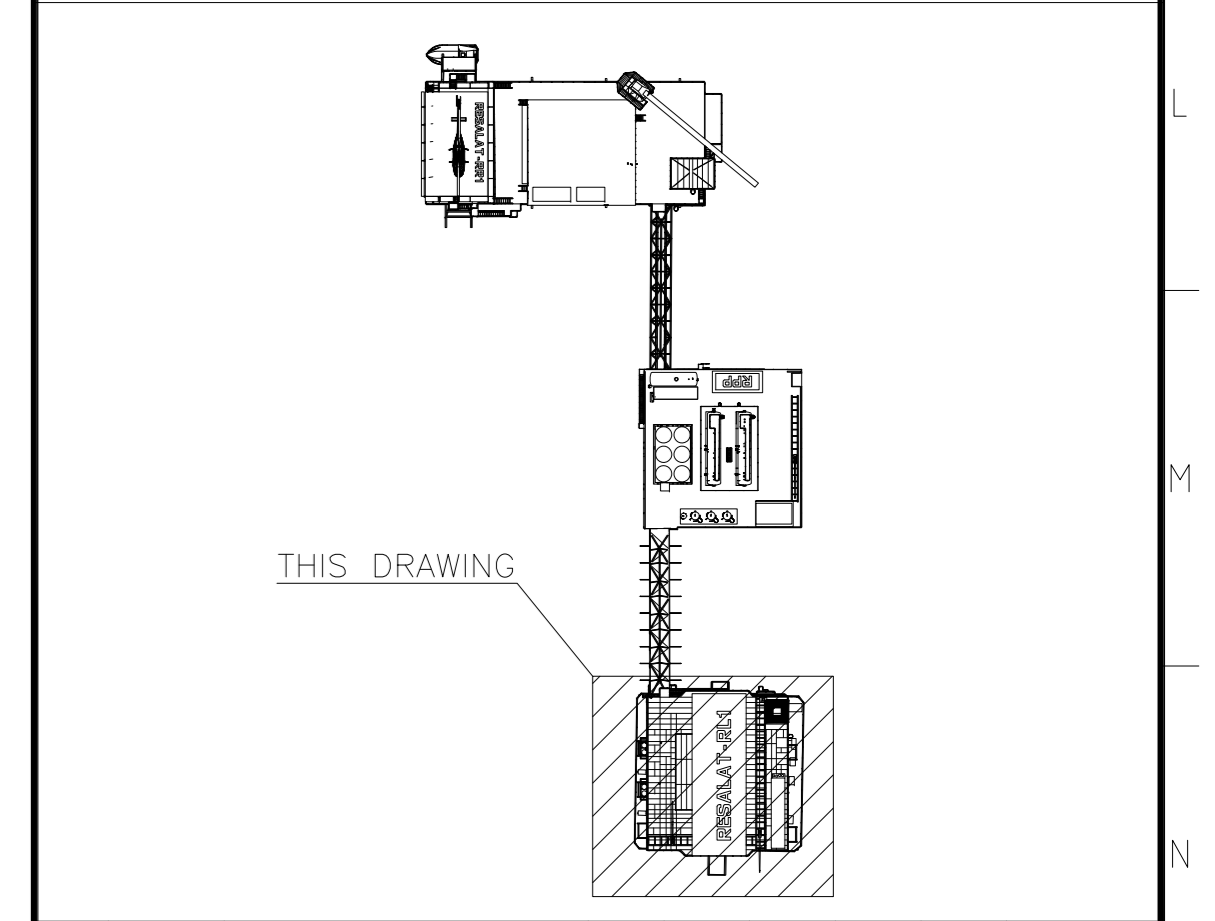


PLAN VIEW EL. +3.20
SERVICE PLATFORM-SEA DECK



PLAN VIEW EL. +13.41
SERVICE PLATFORM-CELLAR DECK

KEY PLAN



Rev	Date	PURPOSE OF ISSUE	Orig	By	Prep'd	Check'd	App'd	Company App't
02	06-Dec-21	ISSUED FOR APPROVAL	IOCC		M. Bayat	M. Nouri	M. Ashori	
01	18-Sep-21	ISSUED FOR APPROVAL	IOCC		M. Bayat	M. Nouri	M. Ashori	
00	07-Jun-21	ISSUED FOR COMMENT	IOCC		M. Bayat	M. Nouri	M. Ashori	

CLIENT: Iranian Offshore Oil Company

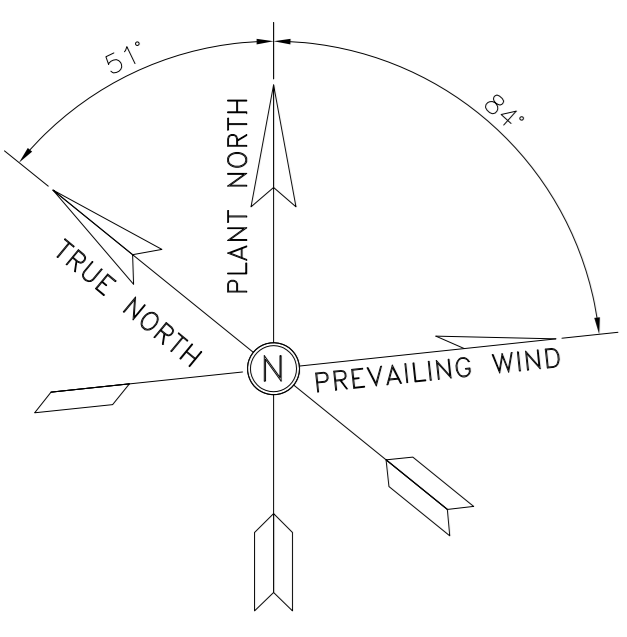
CONTRACTOR: IOCC

SUB-CONTRACTOR: INTELLIGENCE SOLUTIONS INC. IR Consulting Engineers

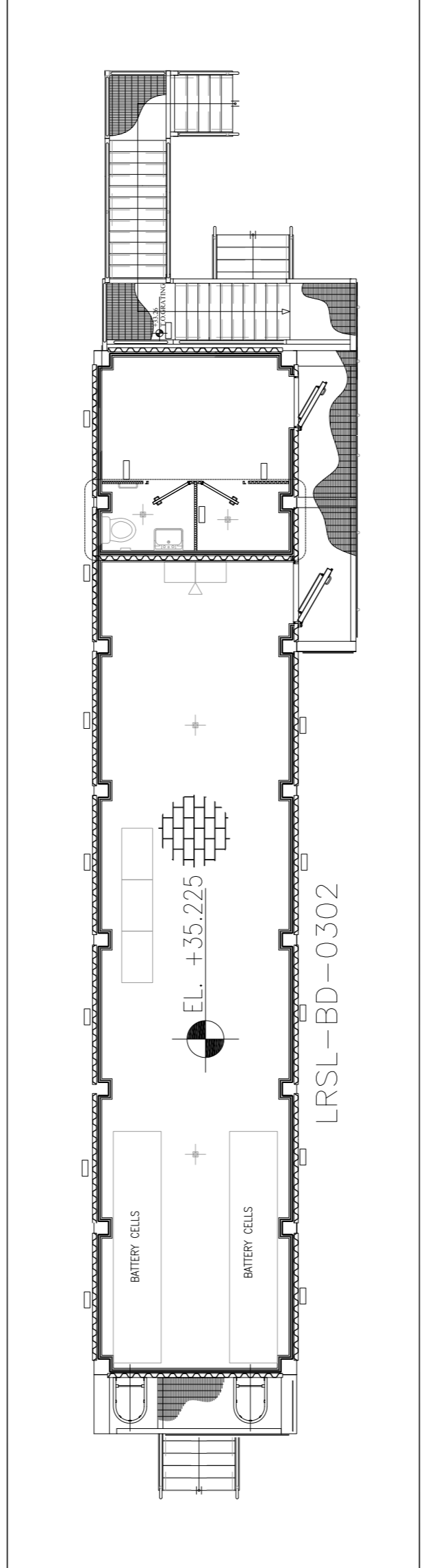
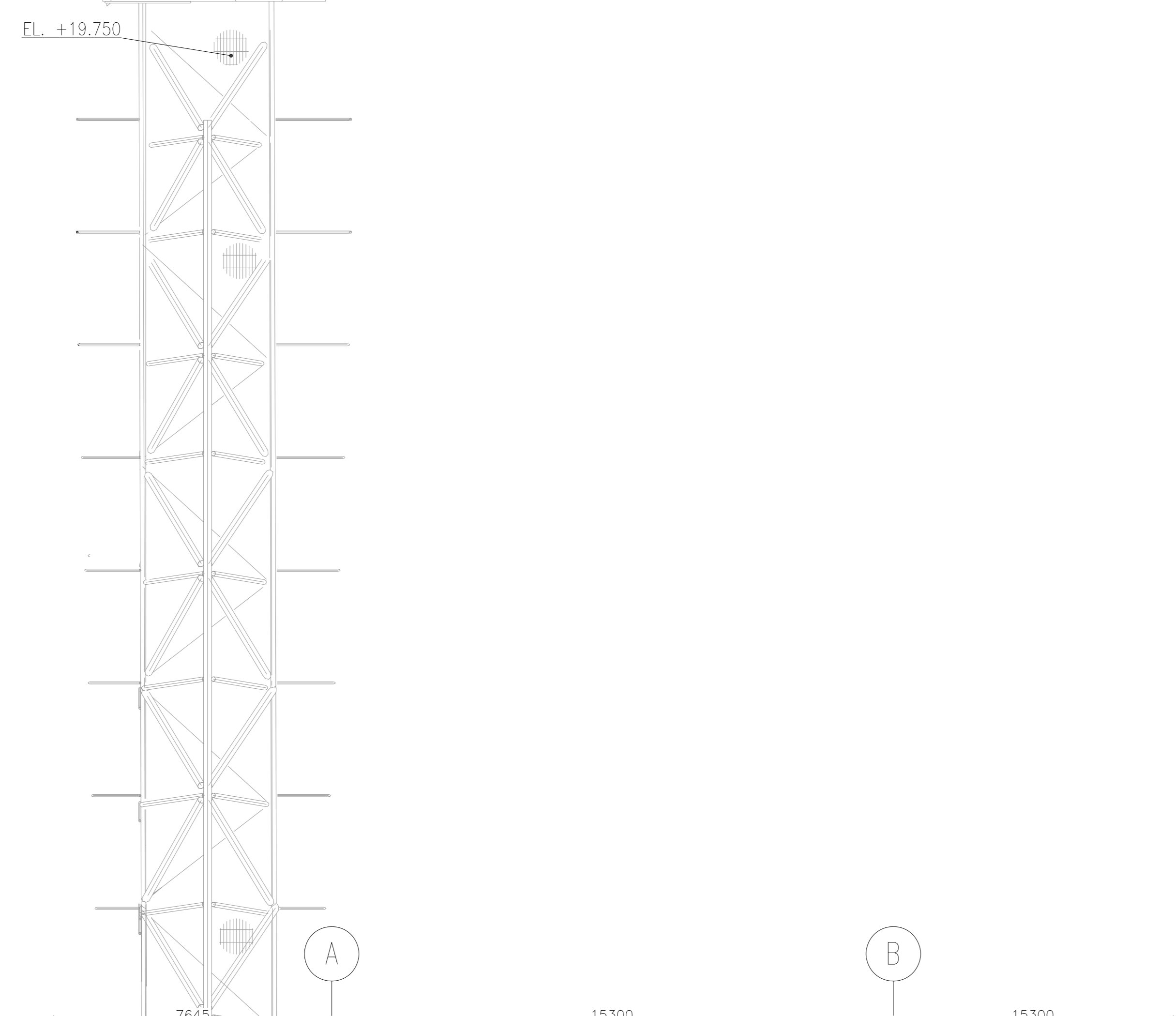
Project No: 2-08-5365 Doc. Class: 1 Size: A0 Scale: 1:100
Project Name: Resalat Oil Field Development - Phase 1 (EPC-EFD)

TITLE: PLOT PLAN FOR SERVICE PLATFORM

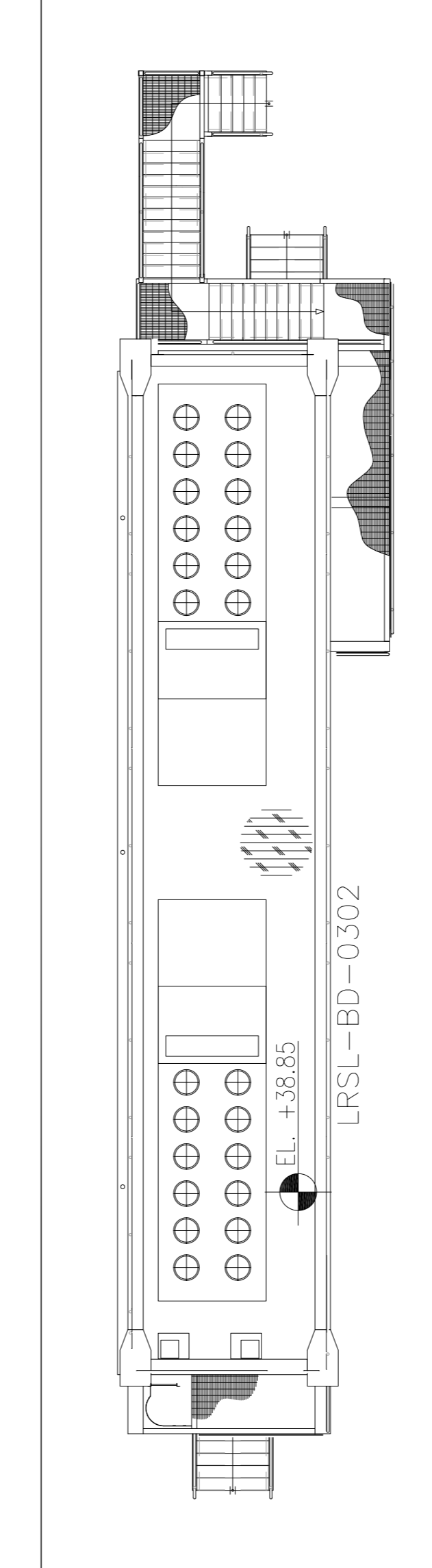
DRAWING No. LRSL-SPX-PI-PP-001 SHEET NO. 1 OF 2 Rev. 02



TO SERVICE PLATFORM (MAIN DECK)
SEE SHEET 8



DETAIL "A"



DETAIL "A"

EQUIPMENT LIST AND WEIGHT (ESTIMATE)					
ITEM	DESCRIPTION	DRY LOAD (KG)	OPER. LOAD (KG)	DIMENSION	INSTALL ELEVATION
LRSL23-PK-0301A/B/C	GAS ENGINE GENERATOR	-	-	HOLD	+19.57

BUILDING LIST	
NAME	DESCRIPTION
LRSL-BD-0302	PMS/BATTERY ROOM

- GENERAL NOTES**
- 1- ALL DIMENSIONS ARE IN MILLIMETERS.
 - 2- ALL ELEVATIONS ARE IN METERS AND REFER TO LAT.
 - 3- THIS DRAWING HAS BEEN PREPARED BASED ON PDMS MODEL RECEIVED VIA LETTER NO. 59278/018/MT/5365 DATED 1399/06/04 FROM IOOC. THE NEW DATA GATHERED DURING SITE VISITING ON 1399/08/11 AND 1399/08/12 HAVE BEEN IMPLEMENTED.
 - 4- AXE A-1 IN SERVICE PLATFORM DEFINED WITH E=100,000, N=100,000 HAS BEEN CONSIDERED AS REFERENCE POINT FOR ALL COORDINATIONS.
 - 5- THE DIMENVN OF GGS ARE HOLD AND WILL BE FINALIZED AFTER RECEIVING VENDOR'S DATA.

SPECIFIC NOTES

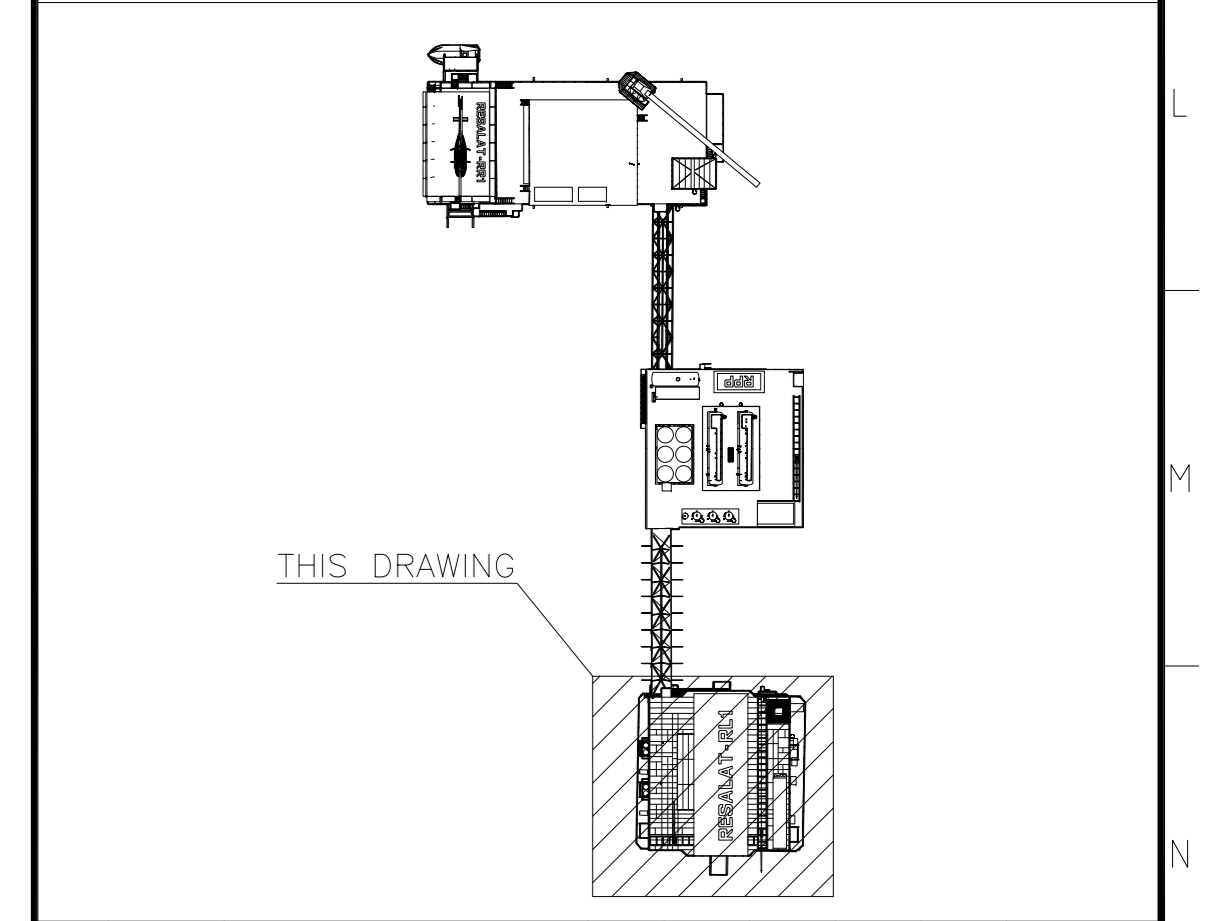
ABBREVIATIONS & LEGEND

- CORRUGATED PLATE
- GRATING
- T.O.S. = TOP OF STEEL
- T.O.P. = TOP OF PLATE
- = MOVED ITEMS
- PRIMARY ESCAPE ROUTE (1200mm x 2200mm)
- SECONDARY ESCAPE ROUTE (800mm x 2500mm)

REFERENCE DRAWINGS

DESCRIPTION	DWG. No.
Process Flow Diagram for wellhead Facilities	LRSL-DPX-PR-PF-001
Process Flow Diagram for Gas Sweetening	LRSL-PPX-PR-PF-001
Process Flow Diagram for Gas Engine Generator	LRSL-SPX-PR-PF-001
Plot Plan for RIX Complex (Basic)	LRSL-R1X-PI-PP-001
Overall Plot Plan (Basic)	LRSL-R1X-PI-PP-002

KEY PLAN



Rev	Date	PURPOSE OF ISSUE	Orig	By	Prep'd	Check'd	App'd	Company
02	06-Dec-21	ISSUED FOR APPROVAL	IOEC					
01	18-Sep-21	ISSUED FOR APPROVAL	IOEC					
00	07-Jun-21	ISSUED FOR COMMENT	IOEC					

CLIENT: **Iranian Offshore Oil Company**

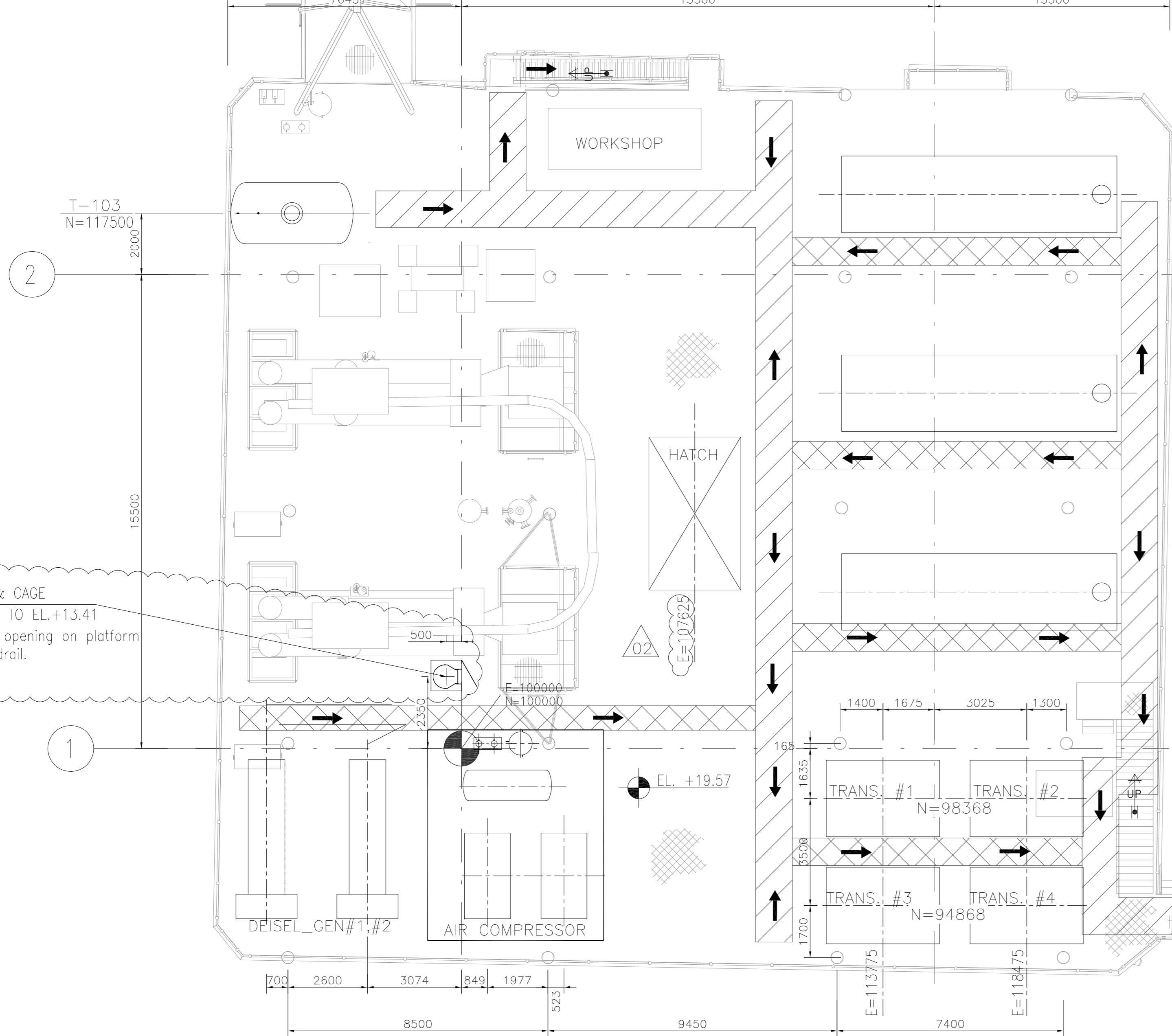
CONTRACTOR: **IOEC**

SUB-CONTRACTOR: **IOEC**

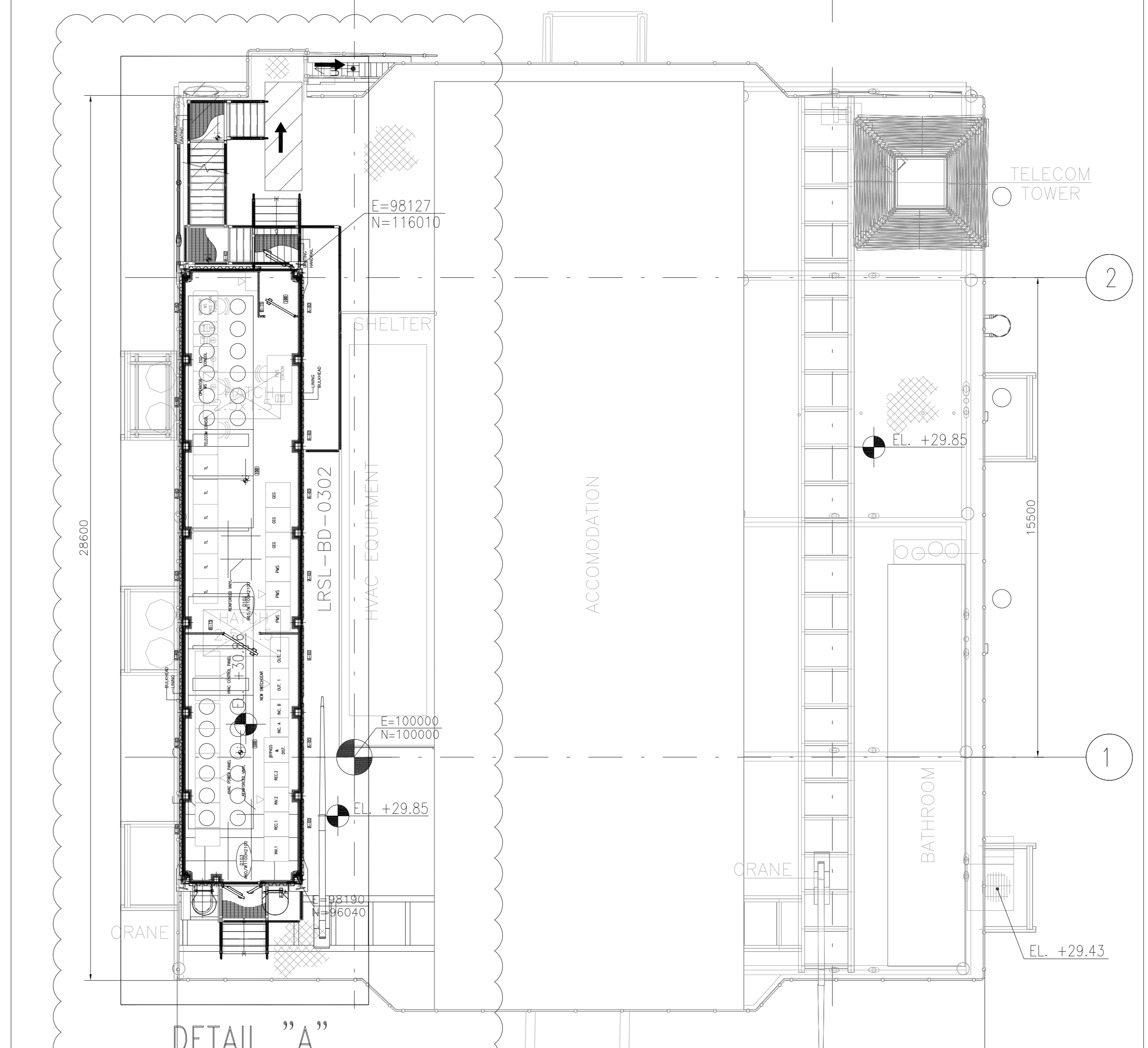
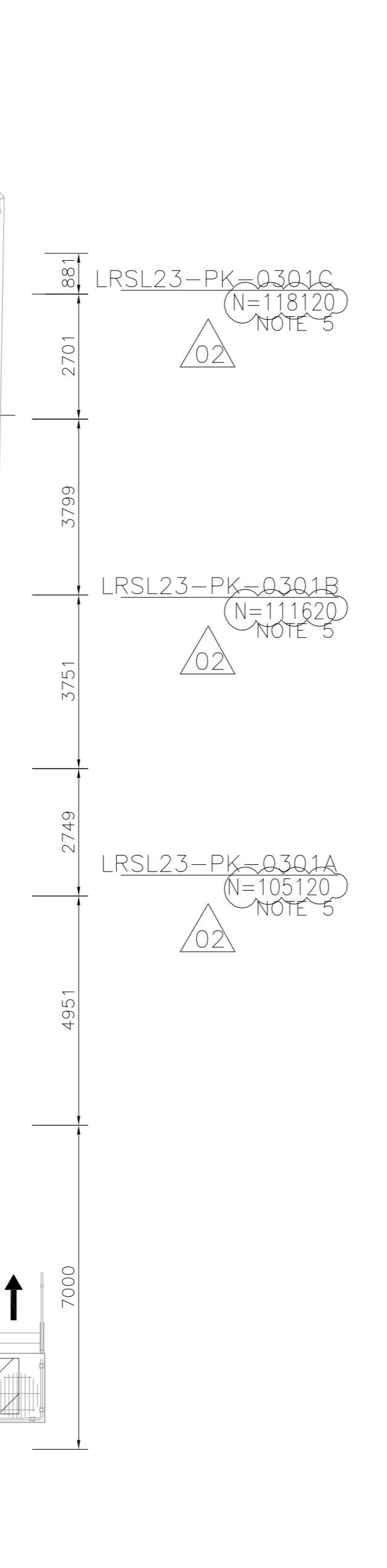
Project No: 2-08-5365 Doc. Class: 1 Size: A0 Scale: 1:100
Project Name: Resalat Oil Field Development - Phase 1 (EPC-EFD)

TITLE: **PLOT PLAN FOR SERVICE PLATFORM**

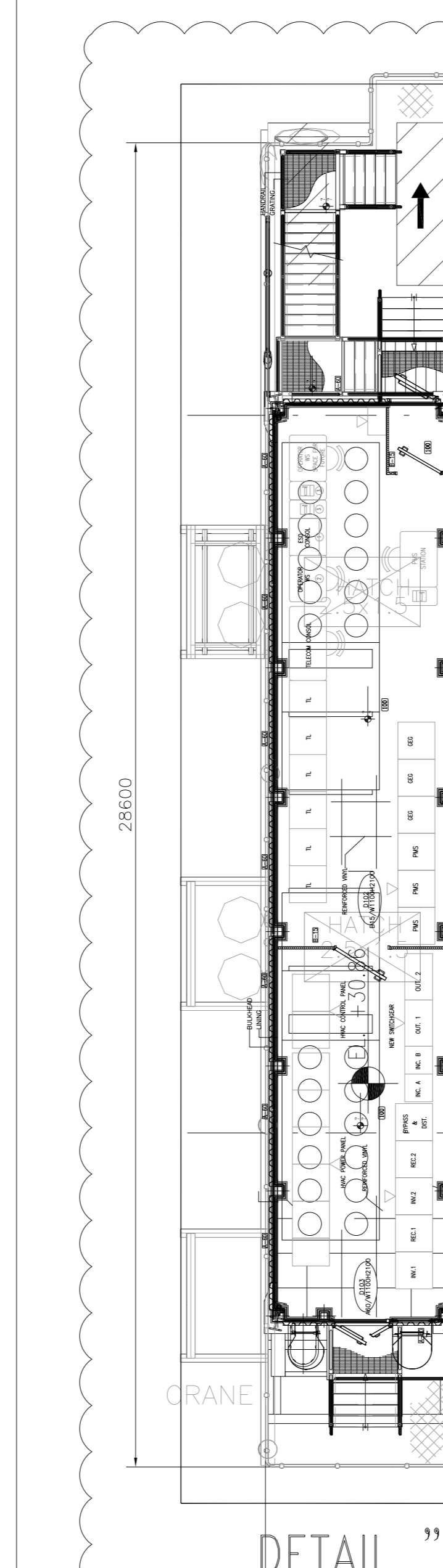
DRAWING No. LRSL-SPX-PI-PP-001 SHEET NO. 2 OF 2 Rev. 02



PLAN VIEW EL. +19.57
SERVICE PLATFORM-MAIN DECK



PLAN VIEW EL. +29.85
SERVICE PLATFORM-WEATHER DECK



DETAIL "A"